

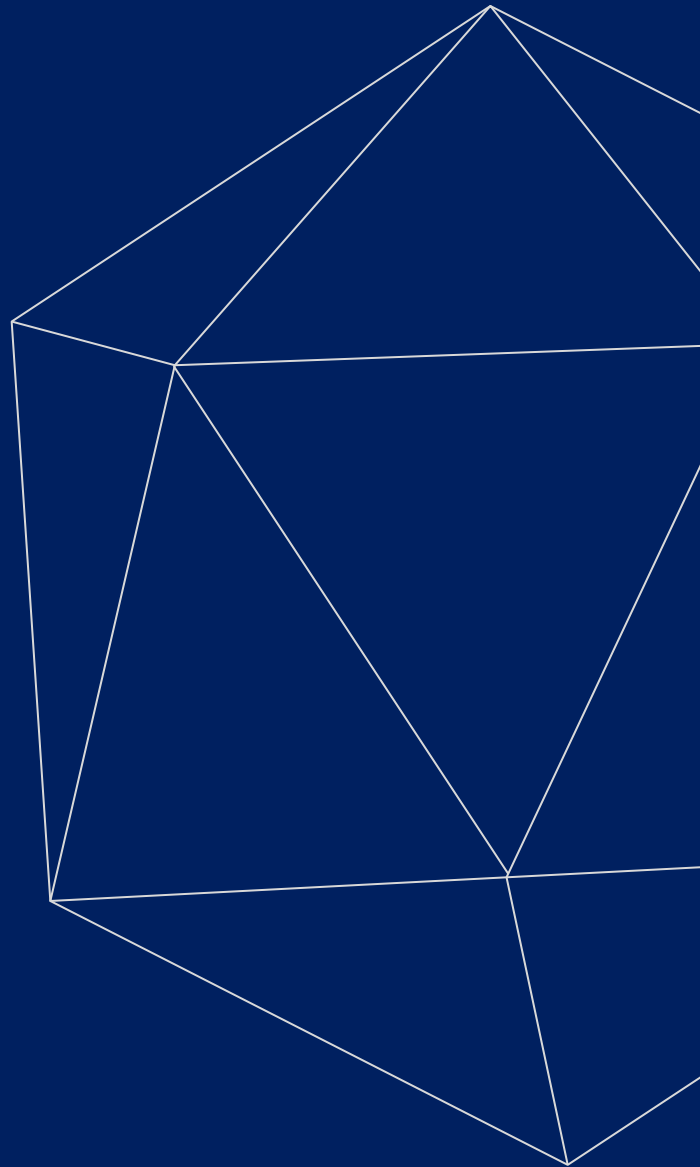


Kalstein[®]

A different accompaniment, at your service

LABORATORY LINES

MICROSCOPE



OUR SERVICES

Benefits and Support

In Kalstein France, we take care of the full satisfaction of our customers, that is why we provide value-added services of the highest level based on our experience.



Online Inductions and Trainings

In any part of the world, receive your induction or training from our specialized team of engineers



Quick Response

Our work team is always available to response all your consults or questions, in order to support you in any situation.



#Letsgivemore

Thanks to your purchase, a donation will be made to a non-profit foundation that fights against breast cancer and helps most vulnerable communities.



Technical Support

Enjoy of personalized advice for the correct preventive and corrective maintenance of your equipment, thanks to Kalstein's manuals and articles, special catalogues and video tutorials.



Delivery Logistics

We take care of all the necessary logistics for the dispatch of your goods, whether is by sea, land or air.



Kalstein Worldwide

With more than 25 years growing with our customers, Kalstein's multifomat and modern content, is now present in more than 10 countries and increasing.



KALSTEIN® Microscope Model YR05791-2



YR05792-2 Phase Contrast Microscope	
Magnification	40x~1000x
Head	Sliding Binocular Head, 30° Inclined, Interpupillary Distance 55~75mm, Left Eyepiece Tube Diopter Adjustable +/-5°
Eyepiece	Wide Field WF10x/18mm
Nosepiece	Backward Quadruple Nosepiece
Objective	Achromatic 4x/0.10, 10x/0.25, 100xs/1.25(Oil)
Stage	Double Layer Mechanical Stage, 140*140mm, Mvoing Range 50*75mm
Focusing	Coaxial Coarse & Fine Focusing. Fine Focusing Scale 0.002mm, Coarse Focusing Stroke 37.7mm/Rotation, With Tension Adjustment, With Up Limit, Base Bearing Black Plastic Cap
Condenser	N.A.1.25 Abbe Condenser, Iris Diaphargm, With Filter Holder
Filter	Blue, Yellow, Green
Phase Contrast	Phase Contrast Objective 40x
	Phase Contrast Slide 40x
	Phase Contrast Condenser
Light Source	Built-in Illumination 6V20W Halogen Lamp, 100~240V



#Let'sgive more ♥

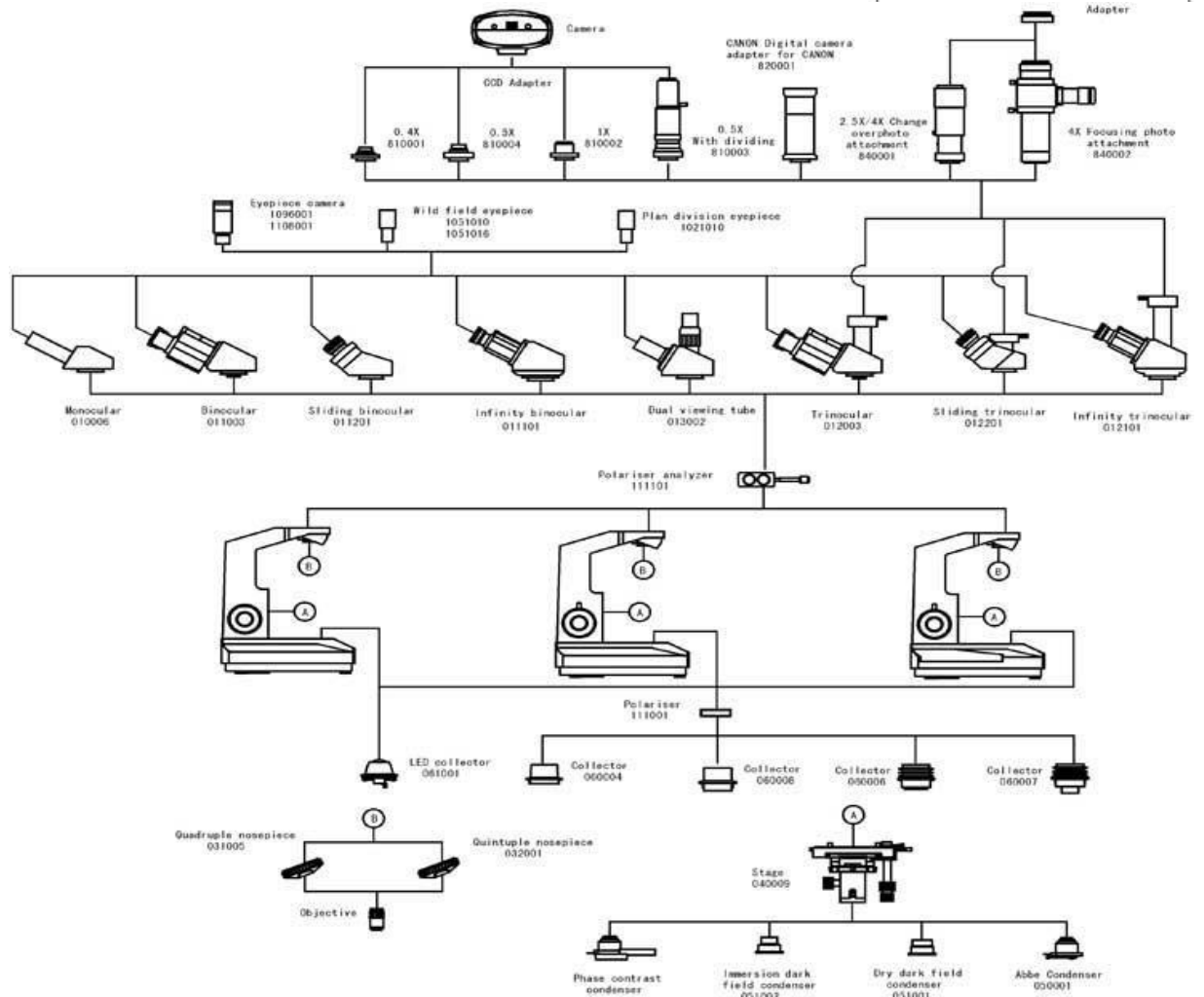
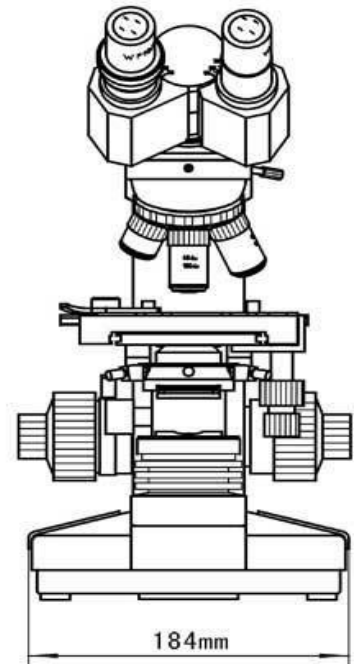
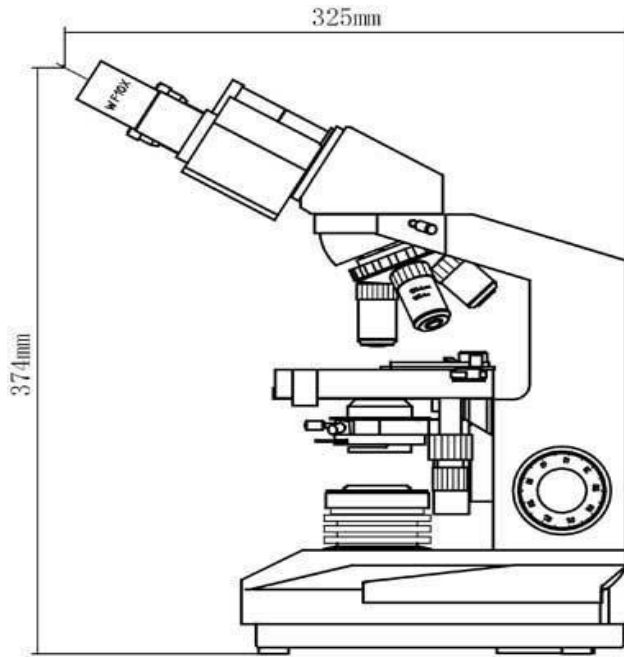
Thanks to your purchase, a donation will be made to a non-profit foundation that fights against breast cancer and helps most vulnerable communities.



All rights reserved © KALSTEIN France S. A. S.,
2 Rue Jean Lantier • 75001 Paris •
+33 1 78 95 87 89 / +33 6 80 76 07 10 •
<https://kalstein.eu>
KALSTEIN FRANCE, S. A. S



Product Size & Diagram



#Let'sgivemore

Thanks to your purchase, a donation will be made to a non-profit foundation that fights against breast cancer and helps most vulnerable communities.



All rights reserved © KALSTEIN France S. A. S.,
 2 Rue Jean Lantier • 75001 Paris •
 +33 1 78 95 87 89 / +33 6 80 76 07 10 •
<https://kalstein.eu>
KALSTEIN FRANCE, S. A. S





Kalstein®

A different accompaniment, at your service

#LETSGIVEMORE 

**WITH THE
ACQUISITION
OF A KALSTEIN
EQUIPMENT**

YOU MAKE A CONTRIBUTION TO:



Fundación
Jacinto Convit

<https://www.jacintoconvit.org/>



<https://onetreepanted.org>



Humatem

Solidarité et coopération
biomédicale

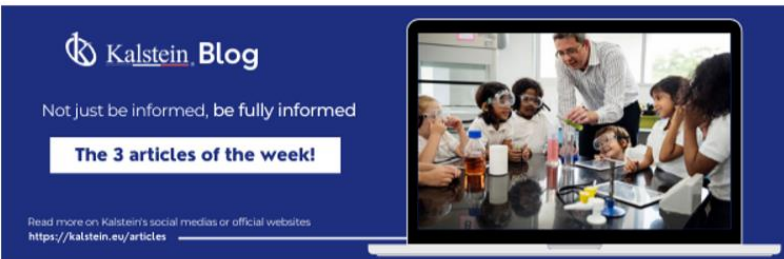
<https://www.humatem.org/>



**MANIAPURE
FOUNDATION USA**

<https://www.maniapurefoundation.org/>

Articles Kalstein
(Social Networks and Official Websites)



Kalstein Blog
Not just be informed, be fully informed
The 3 articles of the week!
Read more on Kalstein's social medias or official websites
<https://kalstein.eu/articles>



PARIS - FRANCE
HEADQUARTER
2 Rue Jean Lantier
75001 Paris - France

Tlf: +33 (0) 01 78 95 87 89
Cel: +33 (0) 6 80 76 07 10
sales@kalstein.eu

<https://kalstein.eu/>
<https://www.kalstein.fr/>

1
Read this ARTICLE NOW



How does the climate affect your microscope?
Microscopes are one of the most sensitive pieces of laboratory equipment. They require a controlled environment (temperature, humidity, vibration) to maintain their accuracy and longevity. This is why it's essential to use a laboratory refrigerator to store your microscope when not in use.

Kalstein Blog
Article of the week:
How does the climate affect your microscope?
Read more on Kalstein's social medias or official websites
<https://kalstein.eu/articles>

2
Read this ARTICLE NOW



What is the importance of the laboratory refrigerator?
Proper maintenance is one of the most important factors to maintain a laboratory refrigerator. It is a controlled environment (refrigerated space) that allows you to store your samples at a constant temperature.

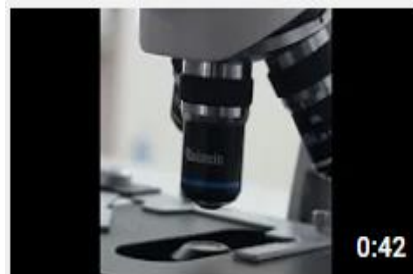
Kalstein Blog
Article of the week:
What is the importance of the laboratory refrigerator?
Read more on Kalstein's social medias or official websites
<https://kalstein.eu/articles>

Kalstein Training Videos
(Youtube Channel and Official Websites)



Kalstein France - Jacinto Convit Foundation / Allianc...

23 views • 3 years ago



Kalstein's Microscopes

445 views • 1 week ago

