



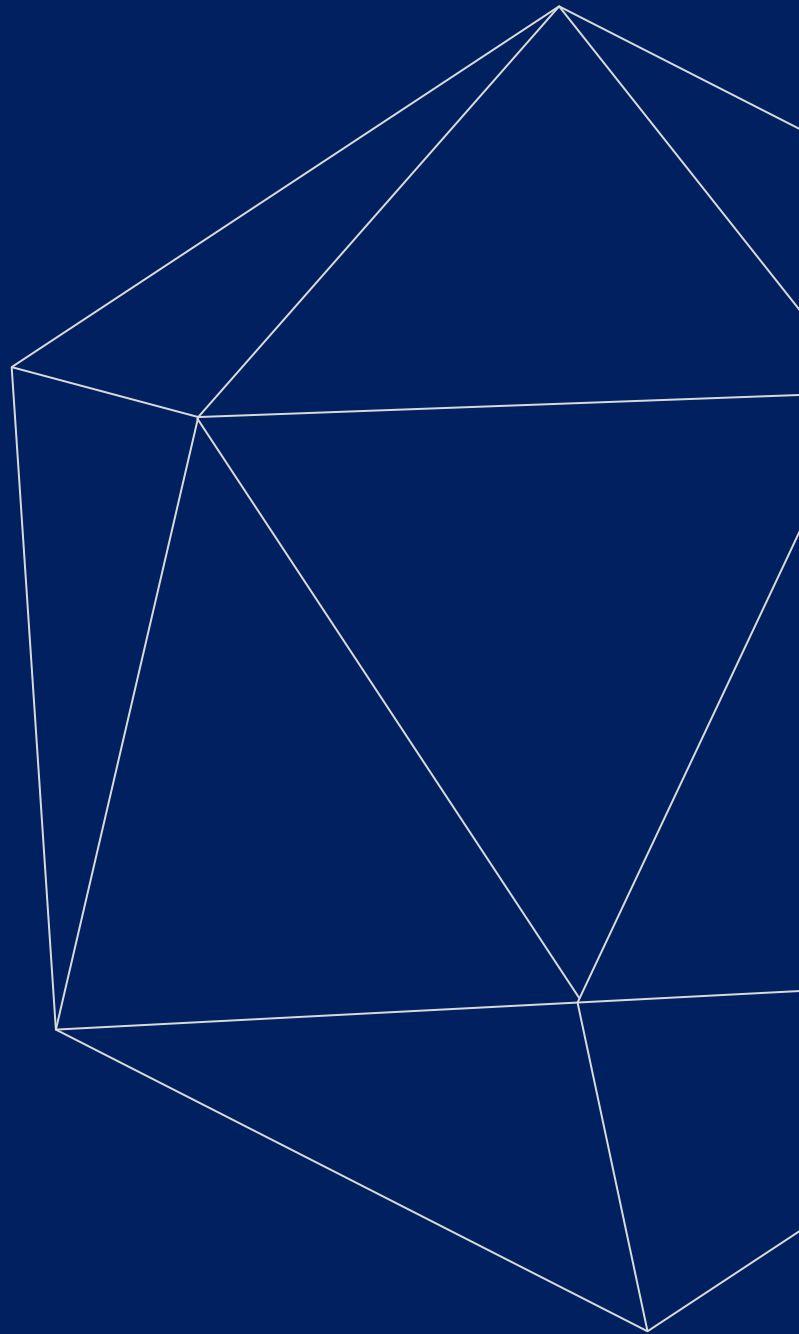
LABORATORY LINES

POLARIZING MICROSCOPE



Kalstein®

A different accompaniment, at your service





Kalstein®

A different accompaniment, at your service

OUR SERVICES

Benefits and Support

In Kalstein France, we take care of the full satisfaction of our customers, that is why we provide value-added services of the highest level based on our experience.



Online Inductions and Trainings

In any part of the world, receive your induction or training from our specialized team of engineers



Quick Response

Our work team is always available to response all your consults or questions, in order to support you in any situation.



#Letsgivemore ♥

Thanks to your purchase, a donation will be made to a non-profit foundation that fights against breast cancer and helps most vulnerable communities.



Technical Support

Enjoy of personalized advice for the correct preventive and corrective maintenance of your equipment, thanks to Kalstein's manuals and articles, special catalogues and video tutorials.



Delivery Logistics

We take care of all the necessary logistics for the dispatch of your goods, whether is by sea, land or air.



Kalstein Worldwide

With more than 25 years growing with our customers, Kalstein's multiformat and modern content, is now present in more than 10 countries and increasing.





Polarizing Microscope

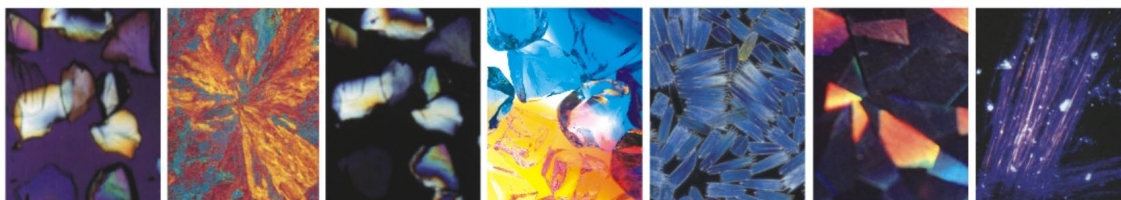
Model YR0262/ YR0263



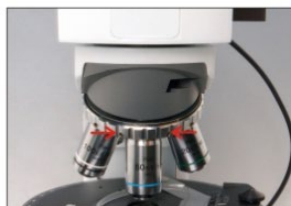
Kalstein's Polarizing Microscope YR0263.

Features:

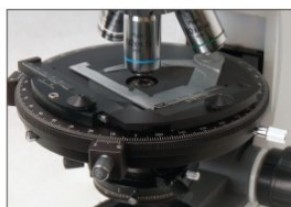
- ✓ Supply high quality and contrast image with special strain free objective.
- ✓ Single polarization, orthogonal polarization and conoscopic observation
- ✓ Transmitted light and reflect light, 24V/10W long life halogen lamp.
- ✓ Stage with 45° located, attachable mechanical stage with large moving range, high efficiency by no interference when turning objectives
- ✓ Professional polarizing microscope for geology, petroleum, chemicals, polymer, LED field.



- ✓ Rotatable analyzer with graduation 0° - 90°
- ✓ Quickly switch between orthoscopic and conoscopic observation
- ✓ Precisely and quickly interference images adjustment.



- ✓ Center adjustable quintuple nosepiece



- ✓ High precision revolving round stage.
- ✓ The attachable mechanical stage makes the sample move finely.



#Let'sgivemore ♥

Thanks to your purchase, a donation will be made to a non-profit foundation that fights against breast cancer and helps most vulnerable communities.



All rights reserved © KALSTEIN France S. A. S.,
Optimum Business Center 450 Rue Baden Powell,
• 34000 Montpellier, France.
Tél: +33 467158849 / +33 680760710/ +33 663810023
<https://kalstein.eu>
KALSTEIN FRANCE, S.A. S





Polarizing Microscope

Model YR0262/ YR0263



Kalstein's Polarizing Microscope YR0263.

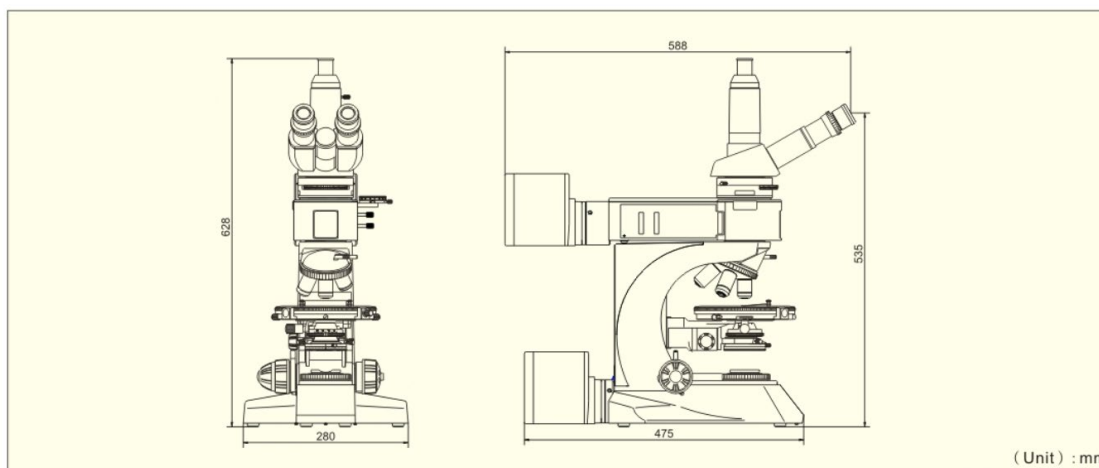
Features:

- ✓ Supply high quality and contrast image with special strain free objective.
- ✓ Single polarization, orthogonal polarization and conoscopic observation
- ✓ Transmitted light and reflect light, 24V/10W long life halogen lamp.
- ✓ Stage with 45° located, attachable mechanical stage with large moving range, high efficiency by no interference when turning objectives
- ✓ Professional polarizing microscope for geology, petroleum, chemicals, polymer, LED field.



Dimension Drawing of Polarizing Microscope

Model YR0262/ YR0263



#Let'sgivemore ♥

Thanks to your purchase, a donation will be made to a non-profit foundation that fights against breast cancer and helps most vulnerable communities.



All rights reserved © KALSTEIN France S. A. S.,
Optimum Business Center 450 Rue Baden Powell,
• 34000 Montpellier, France.
Titl: +33 467158849 / +33 680760710/ +33 663810023
<https://kalstein.eu>
KALSTEIN FRANCE, S.A. S



Polarizing Microscope

Technical Specifications

YR0262 YR0263

Optical System	Infinite optical system	●	●
Viewing Head	Seidentopf trinocular head inclined at 30°, Interpupillary 48-75mm	●	●
Eyepiece	Plan eyepiece EW10X/22	●	●
	Plan eyepiece with scale of cross hair, Plan eyepiece with cross, Plan eyepiece with gridding	●	●
Strain-Free Plan Achromatic Objective	5X/0.12/∞/- WD 15.5mm	●	●
	10X/0.25/∞/- WD 10.0mm	●	●
	20X/0.4/∞/0 WD 5.8mm	●	●
	50X/0.75/∞/0 WD 0.32mm	●	●
	100X/0.8/∞/0 WD 2mm	●	●
	40X/0.65/∞/0.17 WD 0.54mm		●
	100X/1.25/∞/0.17 WD 0.13mm		●
Nosepiece	Backward quintuple nosepiece, Center adjustable	●	●
Analyzer	360° dial rotation Minimum scale reading : 0.1° (Vernier scale)	●	●
Conoscopic observation attachment	Switch between orthoscopic and conoscopic observation, Bertrand lens position adjustable	●	●
Optical Compensator	First-order red plate, Quarter-wave plate, Quartz wedge	●	●
Polarizing Rotatable Stage	Diameter Φ170mm, Center adjustable, 360° scale, Minimum division 1°, Minimum reading 6 by means of vernier scale, 45° Click stop knob	●	●
Attachable Stage	Moving range 30mmX40mm	○	○
Condenser	Strain-free swing condenser NA0.9/0.25		●
Focusing	Coaxial coarse & fine adjustment, Range 32mm, Fine division 0.001mm, Coarse stroke 37.7mm per rotation, Fine stroke 0.1mm per rotation	●	●
Polarizer	Transmitted: 360° Rotatable 0° position adjustable		●
	Reflected: Fixed	●	●
Illumination	24V/100W Halogen lamp, Brightness adjustable		
	Reflected light: 24V/100W Halogen lamp, Brightness adjustable	●	●
	Transmitted light: 24V/100W Halogen lamp, Brightness adjustable		●
Filter	Blue filter Φ45mm		●
	ND6 Neutral density filter Φ45mm		○
	ND25 Neutral density 25 filter Φ45mm		○
	Blue filter Φ25mm	○	○
	ND6 Neutral density filter Φ25mm	○	○
	ND25 Neutral density filter Φ25mm	○	○
Attachment	Video attachment	○	○
	0.01mm Micrometer	○	○

Note: ● Standard Outfit, ○ Optional



#Let'sgivemore 

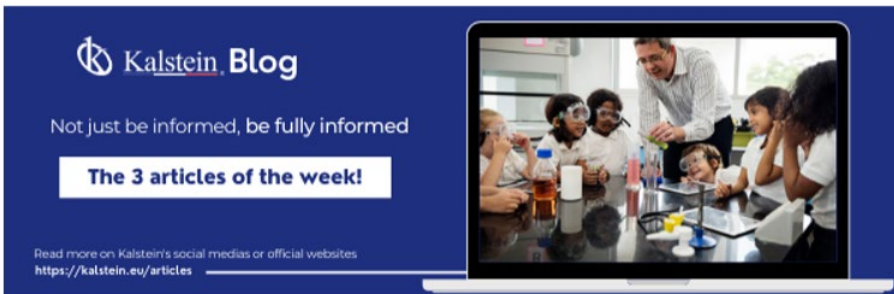
Thanks to your purchase, a donation will be made to a non-profit foundation that fights against breast cancer and helps most vulnerable communities.



All rights reserved © KALSTEIN France S. A. S.,
Optimum Business Center 450 Rue Baden Powell,
• 34000 Montpellier, France.
Titl: +33 467158849 / +33 680760710/ +33 663810023
<https://kalstein.eu>
KALSTEIN FRANCE, S.A. S



Articles Kalstein
(Social Networks and Official Websites)



Kalstein Blog
Not just be informed, be fully informed
The 3 articles of the week!
Read more on Kalstein's social medias or official websites
<https://kalstein.eu/articles>



1
Read this ARTICLE NOW



How does the climate affect your microscope?
A microscope is an instrument that allows observing and measuring objects that are too small to be seen with the naked eye. This is achieved through a complex system of lenses, which form

Article of the week:
How does the climate affect your microscope?

Read more on Kalstein's social medias or official websites
<https://kalstein.eu/articles>

2
Read this ARTICLE NOW



What is the importance of the laboratory refrigerator?
A refrigerator in a laboratory is one of the most important equipment. It is used to maintain, in a controlled environment (refrigerated space), various fluids and substances.

Article of the week:
What is the importance of the laboratory refrigerator?

Read more on Kalstein's social medias or official websites
<https://kalstein.eu/articles>

Kalstein Training Videos
(Youtube Channel and Official Websites)



Kalstein France - Jacinto Convit Foundation / Allianc...

23 views • 3 years ago



Kalstein's Microscopes

445 views • 1 week ago



MONTEPELLIER - FRANCE
SEDE

Optimum Business Center,
450 Rue Baden Powell,
34000 Montpellier - France.

Fax: +33 (0) 4 67 15 88 49

Tif: +33 (0) 6 80 76 07 10

sales@kalstein.eu

<https://kalstein.eu/>
<https://www.kalstein.fr/>

Official Websites for Latin America.

