



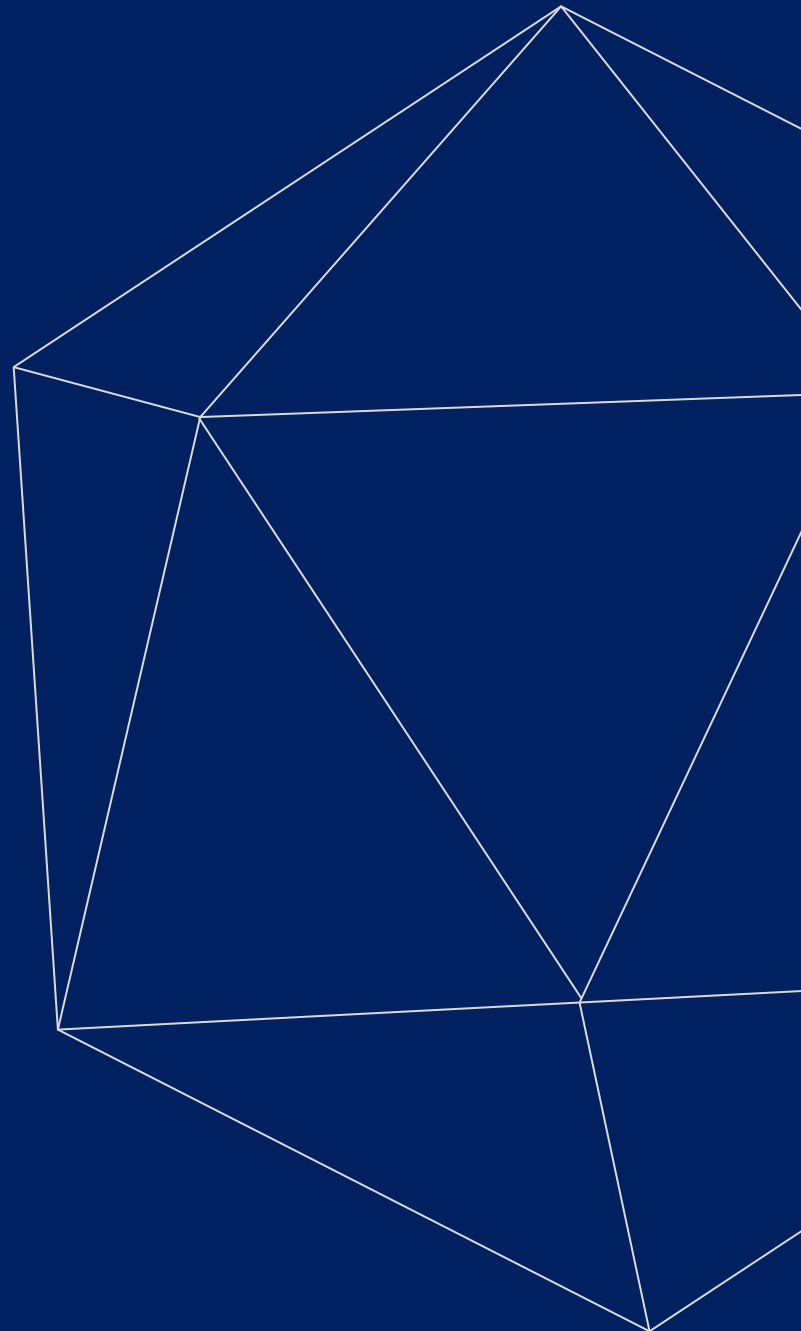
MEDICAL LINES

SURGERY SHADOWLESS LAMP



Kalstein®

A different accompaniment, at your service





Kalstein®

A different accompaniment, at your service

OUR SERVICES

Benefits and Support

In Kalstein France, we take care of the full satisfaction of our customers, that is why we provide value-added services of the highest level based on our experience.



Online Inductions and Trainings

In any part of the world, receive your induction or training from our specialized team of engineers



Quick Response

Our work team is always available to response all your consults or questions, in order to support you in any situation.



#Letsgivemore

Thanks to your purchase, a donation will be made to a non-profit foundation that fights against breast cancer and helps most vulnerable communities.



Technical Support

Enjoy of personalized advice for the correct preventive and corrective maintenance of your equipment, thanks to Kalstein's manuals and articles, special catalogues and video tutorials.



Delivery Logistics

We take care of all the necessary logistics for the dispatch of your goods, whether is by sea, land or air.



Kalstein Worldwide

With more than 25 years growing with our customers, Kalstein's multiformat and modern content, is now present in more than 10 countries and increasing.



SURGERY SHADOWLESS LAMP



Kalstein®

A different accompaniment, at your service

Surgery Shadowless Lamp



CE



#Letsgivemore ♥

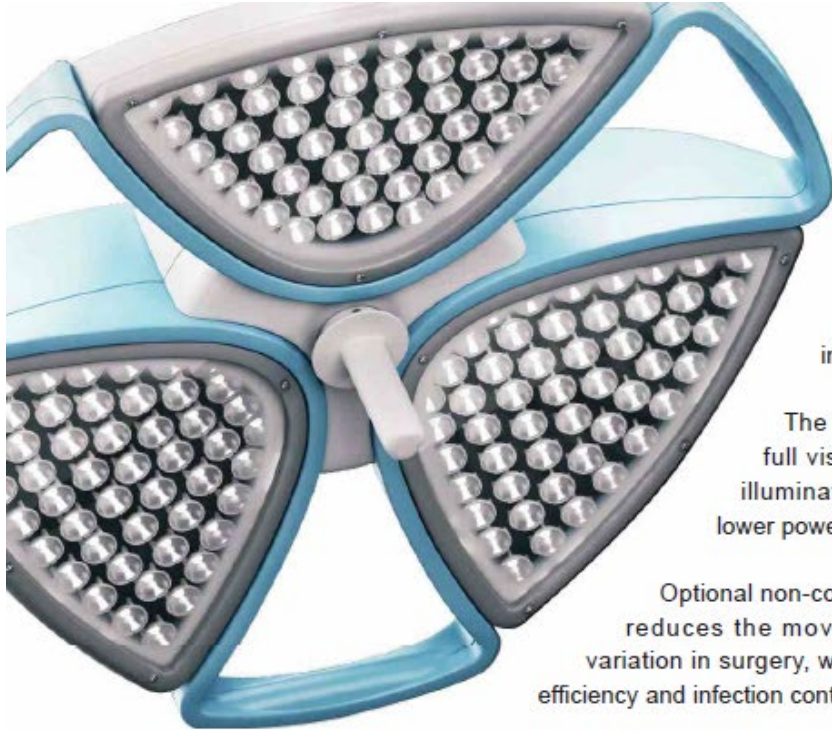
Thanks to your purchase, a donation will be made to a non-profit foundation that fights against breast cancer and helps most vulnerable communities.



All rights reserved © KALSTEIN France S. A. S.,
Optimum Business Center 450 Rue Baden Powell,
• 34000 Montpellier, France.
Tit: +33 467158849 / +33 680760710/ +33 663810023
<https://kalstein.eu>
KALSTEIN FRANCE, S.A. S



SURGERY SHADOWLESS LAMP



Product overview

The new generation of variable and fixed focus Kalstein surgical lighting series, incorporate innovative shamrock design to minimize the influence to laminar flow in the operating theatre.

The latest LED lighting technology allows full visible spectrum and excellent cooling illumination for long-time surgery with much lower power consumption.

Optional non-contact light intensity adjustment further reduces the movement need of lamp head against variation in surgery, which will greatly promote the surgical efficiency and infection control.

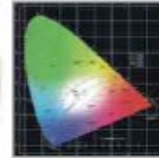
Depending on practical surgery requirement and space limitation, hospitals and clinics can flexibly configure hardware and installation solution, as well as multi-media extension for surgery monitoring, teaching and multidisciplinary purpose.

Feature

50,000 hrs lifespan of LED bulb

Full visible spectrum of cool lighting without drying-out effect to patient's tissue even during long-time surgery.

Minimal power consumption and environment impact.



Modular design for low maintenance

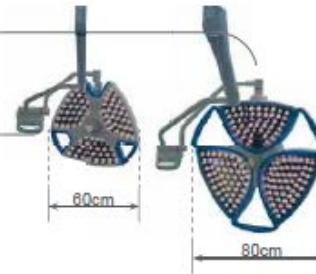
Three LED beams reflected and overlapped to produce a clear, homogenous spot with minimal shadows.



Laminar flow can smoothly pass the hollow to blow the surgical table top
- Modular bulb-group allows for independent replacement overtime.

Different size of head available

Either size or hybrid lamp system is available depending on surgical needs and space limitation.



#Letsgivemore

Thanks to your purchase, a donation will be made to a non-profit foundation that fights against breast cancer and helps most vulnerable communities.



All rights reserved © KALSTEIN France S. A. S.,
Optimum Business Center 450 Rue Baden Powell,
• 34000 Montpellier, France.
Tit: +33 467158849 / +33 680760710/ +33 663810023
<https://kalstein.eu>
KALSTEIN FRANCE, S.A. S



Variable or fixed focus

Variable focus system: Seamless adjustment of lighting focus, intensity and head positioning with sterile handle.

Fixed focus system: Max 160,000 lux intensity for deep-cavity illumination with homogenous spot with minimal shadows.



Contact or Non-contact control

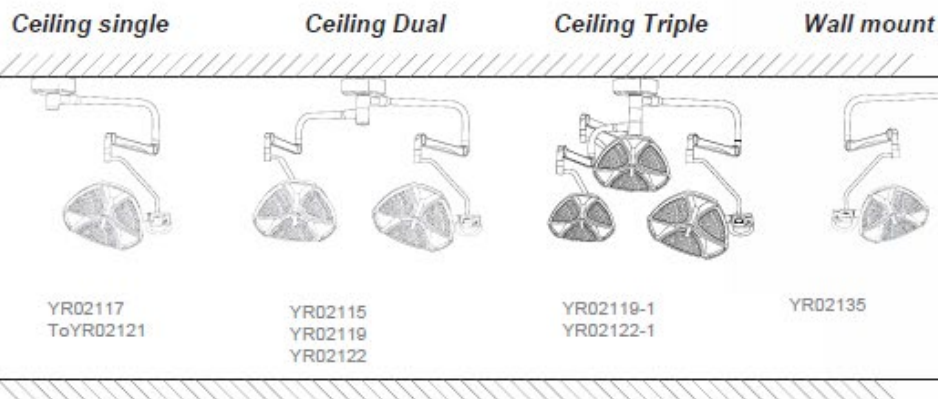


20 levels of intensity adjustment for both contact and non-contact adjustment

Unique non-contact (IR) control requires no movement or re-positioning of lamp head

Ultra-flexible configuration

- Number of lamp head: single-head, dual-head, triple-head
- Mount installation: Ceiling, wall and mobile
- Installation height: 2400~2900mm, 2900~3100mm, >3100mm
- Lamp type: Variable focus, fixed focus or hybrid system



Mobile LED system
YR02133

HD multi-media extension

- Camera Mount: Built-in, Arm-mount or Wall-mount
- Video format: PAL, NTSC and other
- Purpose: Surgery monitoring, teaching or multi-disciplinary application



#Let'sgivemore

Thanks to your purchase, a donation will be made to a non-profit foundation that fights against breast cancer and helps most vulnerable communities.



All rights reserved © KALSTEIN France S. A. S.,
Optimum Business Center 450 Rue Baden Powell,
• 34000 Montpellier, France.
Tit: +33 467158849 / +33 680760710/ +33 663810023
<https://kalstein.eu>
KALSTEIN FRANCE, S.A. S





Technical data

YR02122/ YR02121 Series

YR02117 Series

Optical and photometric

	LED	LED
Light source	LED	LED
Focus	Fixed focus	Variable focus
Diameter of lamp head (cm)	80	80
Number of lamp head	1	1
Number of bulbs for each head	90	150
Illumination (lx)	130,000~180,000	130,000~180,000
Illumination field diameter* (mm)	$d_{10}:160; d_{50}:\geq 50\% \times d_{10}$	$d_{10}:\geq 160; d_{50}:\geq 50\% \times d_{10}$
Light field depth L1+L2 (mm)	≥ 800	≥ 800
Colour rendering index (CRI)(Ra)	95 \pm 5	95 \pm 5
Colour temperature (K)	4300 \pm 300	5100 \pm 300(alternative 4300 \pm 300)
Radiant energy (mW/m ² .lx)	≤ 2.9	≤ 8

Electrical data

Input voltage (V)	100-120/200-230	100-120/200-230
Power consumption	1 watt/bulb x 90	1 watt/bulb x 150
Frequency (Hz)	50/60	50/60
Rated current(A)	0.68	0.68
LED power (W)	1	1
LED voltage (V)	vf: DC 3.2	vf: DC 3.2
Service life (hrs)	50,000	50,000
Weight (kg)	50	57

* Optional installation height may require special suspension arm or extra accessories.



#Letsgivemore

Thanks to your purchase, a donation will be made to a non-profit foundation that fights against breast cancer and helps most vulnerable communities.



All rights reserved © KALSTEIN France S. A. S.,
Optimum Business Center 450 Rue Baden Powell,
• 34000 Montpellier, France.
Tit: +33 467158849 / +33 680760710/ +33 663810023
<https://kalstein.eu>
KALSTEIN FRANCE, S.A. S





 **Kalstein**[®]
A different accompaniment, at your service

#LETSGIVEMORE 

**WITH THE
ACQUISITION
OF A KALSTEIN
EQUIPMENT**

YOU MAKE A CONTRIBUTION TO:



**Fundación
Jacinto Convit**

<https://www.jacintoconvit.org/>



<https://onetreepanted.org>



Humatem

Solidarité et coopération
biomédicale

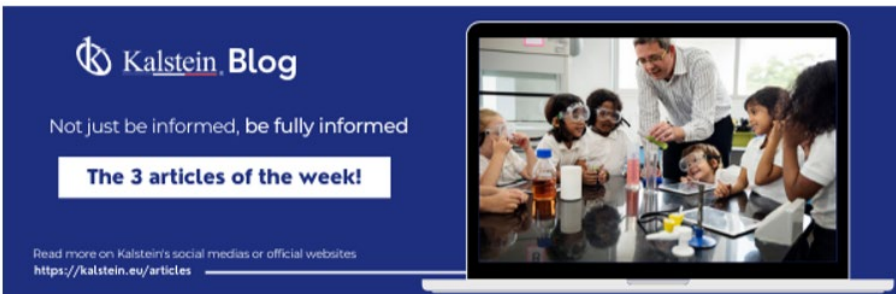
<https://www.humatem.org/>



**MANIAPURE
FOUNDATION USA**

<https://www.maniapurefoundation.org/>

Articles Kalstein
(Social Networks and Official Websites)



Kalstein Blog
Not just be informed, be fully informed
The 3 articles of the week!
Read more on Kalstein's social medias or official websites
<https://kalstein.eu/articles>



1
Read this ARTICLE NOW



How does the climate affect your microscope?
A microscope is an instrument that allows observing and measuring objects that are too small to be seen with the naked eye. This is achieved through a complex system of lenses and mirrors, which form



Article of the week:
How does the climate affect your microscope?

Read more on Kalstein's social medias or official websites
<https://kalstein.eu/articles>

2
Read this ARTICLE NOW



What is the importance of the laboratory refrigerator?
A refrigerator in a laboratory is one of the most important pieces of equipment. It is used to maintain, in a controlled environment (refrigerated space), various fluids and substances.



Article of the week:
What is the importance of the laboratory refrigerator?

Read more on Kalstein's social medias or official websites
<https://kalstein.eu/articles>

Kalstein Training Videos
(Youtube Channel and Official Websites)



Kalstein France - Jacinto Convit Foundation / Allianc...

23 views • 3 years ago



Kalstein's Microscopes

445 views • 1 week ago



MONTPELLIER - FRANCE
HEADQUARTER
Optimum Business Center,
450 Rue Baden Powell,
34000 Montpellier - France.

Fax: +33 (0) 4 67 15 88 49
Tif: +33 (0) 6 80 76 07 10
sales@kalstein.eu

<https://kalstein.eu/>
<https://www.kalstein.fr/>

Official Websites for Latin America.

