



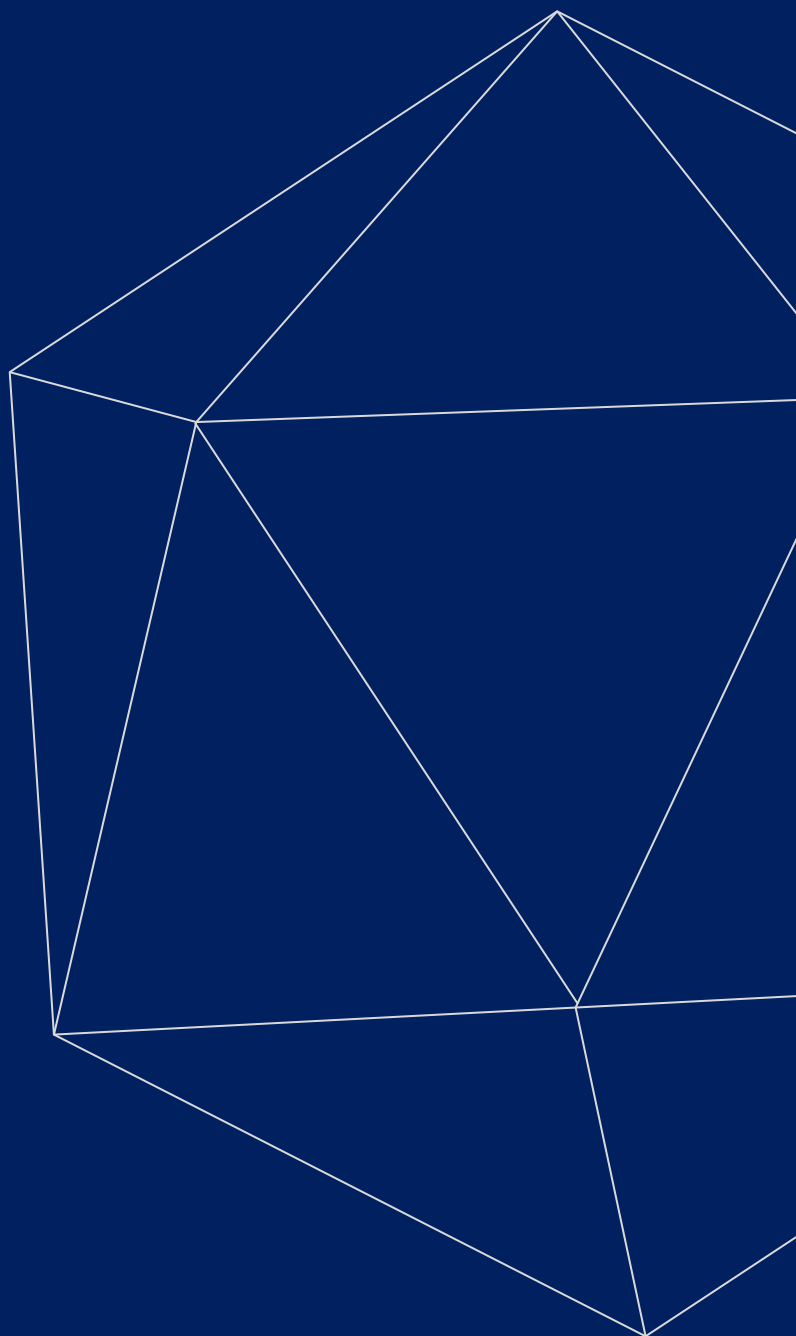
LABORATORY LINES

BALANCES



Kalstein®

A different accompaniment, at your service





Kalstein®

A different accompaniment, at your service

OUR SERVICES

Benefits and Support

In Kalstein France, we take care of the full satisfaction of our customers, that is why we provide value-added services of the highest level based on our experience.



Online Inductions and Trainings

In any part of the world, receive your induction or training from our specialized team of engineers



Quick Response

Our work team is always available to response all your consults or questions, in order to support you in any situation.



#Letsgivemore ❤️

Thanks to your purchase, a donation will be made to a non-profit foundation that fights against breast cancer and helps most vulnerable communities.



Technical Support

Enjoy of personalized advice for the correct preventive and corrective maintenance of your equipment, thanks to Kalstein's manuals and articles, special catalogues and video tutorials.



Delivery Logistics

We take care of all the necessary logistics for the dispatch of your goods, whether is by sea, land or air.



Kalstein Worldwide

With more than 25 years growing with our customers, Kalstein's multiformat and modern content, is now present in more than 10 countries and increasing.



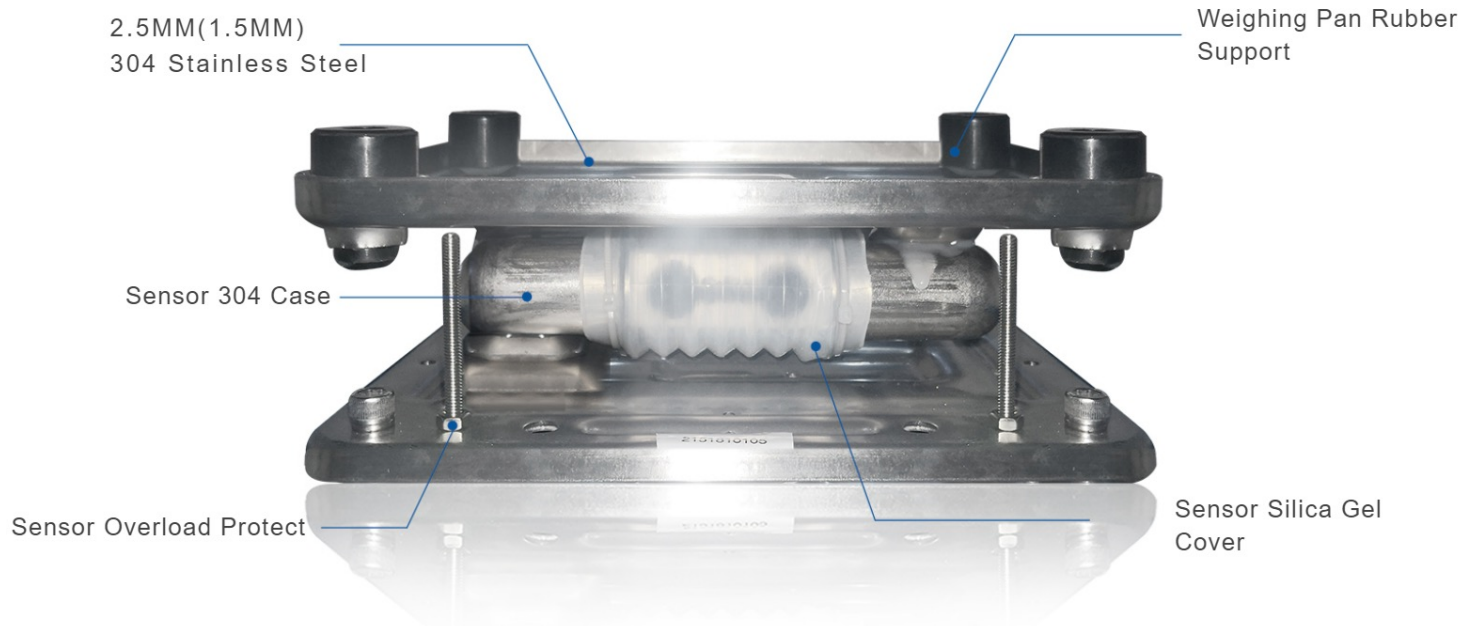
Waterproof Balance

Model Series YR05623



Features:

- ✓ Appearance design and utility model
- ✓ Access to patents
- ✓ Full waterproof design
- ✓ IP68/CE/RoHS/LFGB certification
- ✓ Quakeproof
- ✓ Full wash body, easy to clean
- ✓ Speed weight, speed stability
- ✓ Stainless steel plate/load-bearing bracket
- ✓ Waterproof and sealing glue mainboard
- ✓ Waterproof and keypad display
- ✓ Waterproof sleeve sensor
- ✓ LED digital display/Double display
- ✓ Tare function/Counting
- ✓ Check weighing
- ✓ Unit conversion (g/kg/lb)...
- ✓ AC and DC power supply
- ✓ Long battery life
- ✓ Optional power saving mode
- ✓ Overload alarm



#Letsgivemore

Thanks to your purchase, a donation will be made to a non-profit foundation that fights against breast cancer and helps most vulnerable communities.



All rights reserved © KALSTEIN France S. A. S.,
2 Rue Jean Lantier • 75001 Paris •
+33 1 78 95 87 89 / +33 6 80 76 07 10 •
<https://kalstein.eu>
KALSTEIN FRANCE, S. A. S



Waterproof Balance

Model Series YR05623



Model	YR05623	YR05624	YR05625	YR05626	YR05627	YR05628
Specification	3kg/0.1g	3kg/0.5g	6kg/1g	7.5kg/1g	15kg/5g	30kg/5g
Capacity		3kg	6kg	7.5kg	15kg	30kg
Readability	0.1g	0.5g	1g	1g	5g	5g
Min Weighing				4d		
Repeatability				±2d		
Linearity				±3d		
Stable Time				≤0.5S		
Weighing Units				g、kg、lb		
Usage Temp				-20°C~+40°C		
Pan Size				190x235mm 304 Stainless Steel Pan		
Display				6 Digits LED display front and black double display		
Power				Rechargeable battery、6V/5AH、lasts 40-60 hours、Battery size:170x70x35mm		
Tare				Tare function		
Appearance Size				287x127x271mm		
Packing Size				345x325x195mm/685x365x425mm		
Gross Weight				5kg/20kg (4 sets/carton)		
Cal.weight	2kg		3kg	5kg	10kg	15kg



#Let'sgive more

Thanks to your purchase, a donation will be made to a non-profit foundation that fights against breast cancer and helps most vulnerable communities.

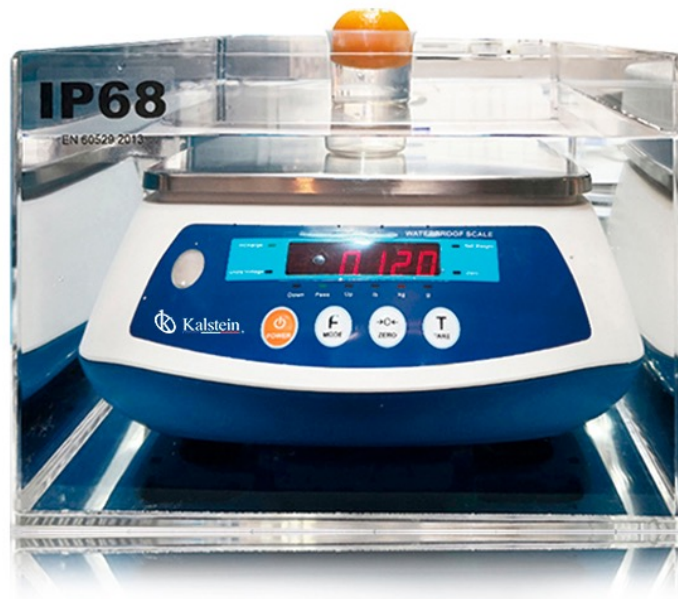


All rights reserved © KALSTEIN France S. A. S.,
2 Rue Jean Lantier • 75001 Paris •
+33 1 78 95 87 89 / +33 6 80 76 07 10 •
<https://kalstein.eu>
KALSTEIN FRANCE, S. A. S



Waterproof Balance

Model Series YR05623



Product application:



Pickled Cabbage



Meat Processing



Shellfish Check



Sea Food Processing



Frozen Sea Food



#Letsgivemore

Thanks to your purchase, a donation will be made to a non-profit foundation that fights against breast cancer and helps most vulnerable communities.



All rights reserved © KALSTEIN France S. A. S.,
2 Rue Jean Lantier • 75001 Paris •
+33 1 78 95 87 89 / +33 6 80 76 07 10 •
<https://kalstein.eu>
KALSTEIN FRANCE, S. A. S





 **Kalstein**[®]
A different accompaniment, at your service

#LETSGIVEMORE 

**WITH THE
ACQUISITION
OF A KALSTEIN
EQUIPMENT**

YOU MAKE A CONTRIBUTION TO:

 **Fundación
Jacinto Convit**
<https://www.jacintoconvit.org/>

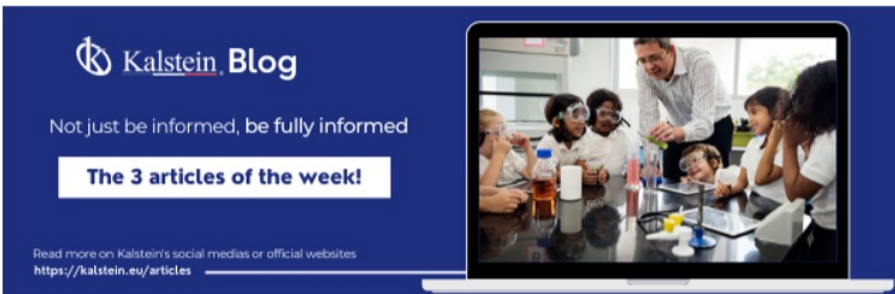
 **ONE
TREE
PLANTED**

<https://onetreepanted.org>

 **Humatem**
Solidarité et coopération
biomédicale
<https://www.humatem.org/>

 **MANIAPURE
FOUNDATION USA**
<https://www.maniapurefoundation.org/>

Articles Kalstein
(Social Networks and Official Websites)



Kalstein Blog
Not just be informed, be fully informed

The 3 articles of the week!

Read more on Kalstein's social medias or official websites
<https://kalstein.eu/articles>



1
Read this ARTICLE NOW

How does the climate affect your microscope?

microscope is an instrument that allows observing and measuring objects at a very small scale. This is achieved through a complex system of lenses, which form

Kalstein Blog

Article of the week:
How does the climate affect your microscope?

Read more on Kalstein's social medias or official websites
<https://kalstein.eu/articles>



2
Read this ARTICLE NOW

What is the importance of the laboratory refrigerator?

refrigerator is a device that is one of the most used equipment in laboratories to maintain, in a controlled environment (refrigerated space), various fluids and substances.

Kalstein Blog

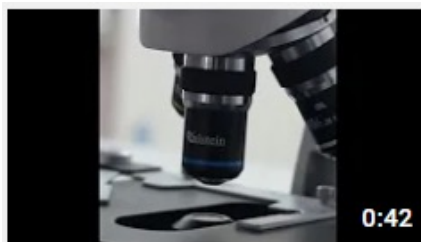
Article of the week:
What is the importance of the laboratory refrigerator?

Read more on Kalstein's social medias or official websites
<https://kalstein.eu/articles>

Kalstein Training Videos
(Youtube Channel and Official Websites)



Kalstein France - Jacinto Convit Foundation / Alliances
23 views • 3 years ago



Kalstein's Microscopes
445 views • 1 week ago



PARIS - FRANCE
HEADQUARTER
2 Rue Jean Lantier
75001 Paris - France

Tlf: +33 (0) 01 78 95 87 89
Cel: +33 (0) 6 80 76 07 10
sales@kalstein.eu

<https://kalstein.eu/>
<https://www.kalstein.fr/>

