



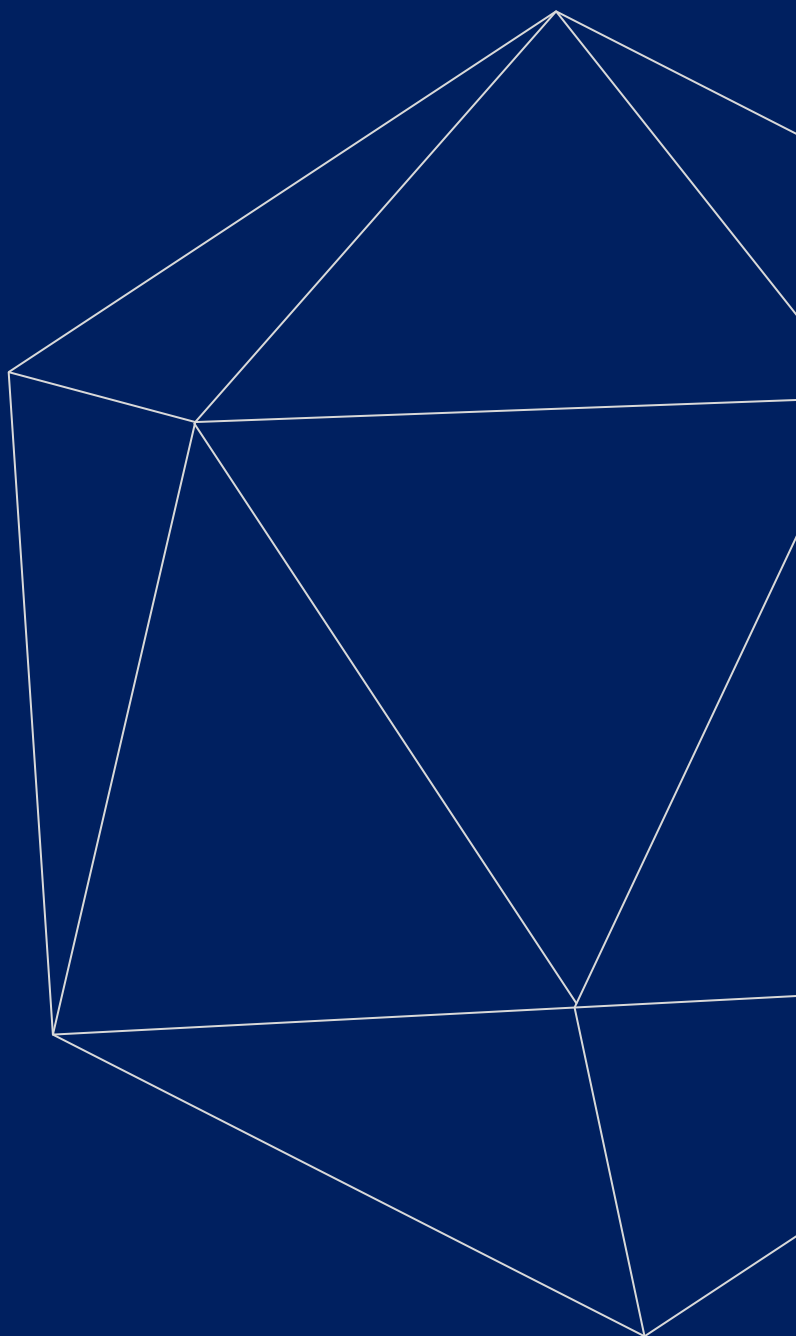
LABORATORY LINES

MICROSCOPES



Kalstein®

A different accompaniment, at your service





Kalstein®

A different accompaniment, at your service

OUR SERVICES

Benefits and Support

In Kalstein France, we take care of the full satisfaction of our customers, that is why we provide value-added services of the highest level based on our experience.



Online Inductions and Trainings

In any part of the world, receive your induction or training from our specialized team of engineers



Quick Response

Our work team is always available to response all your consults or questions, in order to support you in any situation.



#Letsgivemore ♥

Thanks to your purchase, a donation will be made to a non-profit foundation that fights against breast cancer and helps most vulnerable communities.



Technical Support

Enjoy of personalized advice for the correct preventive and corrective maintenance of your equipment, thanks to Kalstein's manuals and articles, special catalogues and video tutorials.



Delivery Logistics

We take care of all the necessary logistics for the dispatch of your goods, whether is by sea, land or air.



Kalstein Worldwide

With more than 25 years growing with our customers, Kalstein's multiformat and modern content, is now present in more than 10 countries and increasing.



KALSTEIN® Microscopes
5G WIFI+4K HDMI+USB+LAN Digital Camera, 12.0M,
C-Mount, USB/WIFI Measuring
Model YR0A59.4972



Product Description:

- High Content 12.0M 5G WIFI+4K HDMI+USB2.0+LAN 12.0M Digital Camera
- 1/2.3" CMOS H264 Codec Supply Accurate Color Restoration For Fluorescent Image
- Ultra-High Resolution 4000x3000 Preview At Super High-Speed 30fps
- Multiple Image Modes Specially Adjusted For Different Microscope Brands
- Creative APP Support Real Time Depth of Field Fusion & Auto Focus Function



#Letsgivemore ♥

Thanks to your purchase, a donation will be made to a non-profit foundation that fights against breast cancer and helps most vulnerable communities.



All rights reserved © KALSTEIN France S. A. S.,
 Optimum Business Center 450 Rue Baden Powell,
 • 34000 Montpellier, France.
 Tit: +33 467158849 / +33 680760710/ +33 663810023
<https://kalstein.eu>
KALSTEIN FRANCE, S.A. S



KALSTEIN® Microscopes
5G WIFI+4K HDMI+USB+LAN Digital Camera, 12.0M,
C-Mount, USB/WIFI Measuring
Model YR0A59.4972



- High Content 12.0M 5G WIFI+4K HDMI+USB2.0+LAN 12.0M Digital Camera
- 1/2.3" CMOS H264 Codec Supply Accurate Color Restoration For Fluorescent Image
- Ultra-High Resolution 4000x3000 Preview At Super High Speed 30fps
- Multiple Image Modes Specially Adjusted For Different Microscope Brands
- APP of Auto Real Time Depth of Field Fusion & Auto Focus



#Letsgivemore ♥

Thanks to your purchase, a donation will be made to a non-profit foundation that fights against breast cancer and helps most vulnerable communities.



All rights reserved © KALSTEIN France S. A. S.,
 Optimum Business Center 450 Rue Baden Powell,
 • 34000 Montpellier, France.
 Tit: +33 467158849 / +33 680760710/ +33 663810023
<https://kalstein.eu>
KALSTEIN FRANCE, S.A. S



KALSTEIN® Microscopes 5G WIFI+4K HDMI+USB+LAN Digital Camera, 12.0M, C-Mount, USB/WIFI Measuring



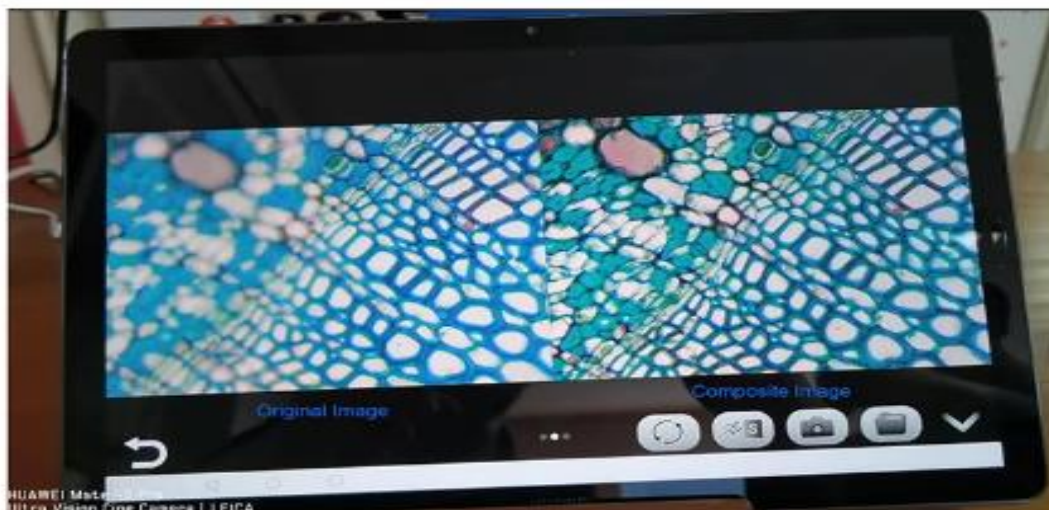
Model YR0A59.4972

YR0A59.4972 Features

APP of Auto Real Time Depth of Field Fusion & Auto Focus

The world's first digital camera with a built-in advanced algorithm, which can achieve real-time depth of field fusion and auto focus. During the manual focusing process, the camera will automatically capture the sharply focused area and synthesize it into a clear image in real time. Through this algorithm, for those samples with different thicknesses or unevenness, the camera can also easily obtain full-frame images with clear focus through auto-focus and depth-of-field fusion.

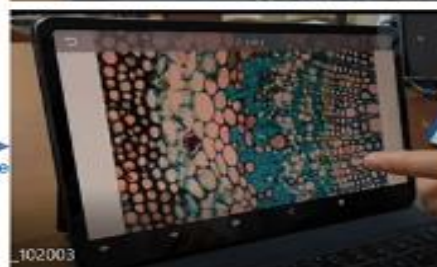
This function supports mobile phone and tablet APP. In the APP, by sliding the screen left and right, you can easily switch between the original image, the composite image, or the comparison image between the two. Every time you take a photo, the camera will simultaneously shoot and save the original image and the composite image for later recall.



One Click, Take 2 Pictures

Original Image

Composite Image



#Letsgivemore ♥

Thanks to your purchase, a donation will be made to a non-profit foundation that fights against breast cancer and helps most vulnerable communities.



All rights reserved © KALSTEIN France S. A. S.,
Optimum Business Center 450 Rue Baden Powell,
• 34000 Montpellier, France.
Tit: +33 467158849 / +33 680760710/ +33 663810023
<https://kalstein.eu>
KALSTEIN FRANCE, S.A. S



KALSTEIN® Microscopes 5G WIFI+4K HDMI+USB+LAN Digital Camera, 12.0M, C-Mount, USB/WIFI Measuring Model YR0A59.4972



YR0A59.4972 Specification

YR0A59.4972 5G WIFI+4K HDMI+USB+LAN Digital Camera, 12.0M, C-Mount, USB/WIFI Measuring				
Output	USB Output, PC Software HDMI Output 5G WIFI Output, App Software Ethernet Output, LAN Port			
Physical Resolution	12.0MP			
Image Sensor	Sony IMX412 CMOS			
Exposure Mode	Rolling Shutter			
Maximum Resolution	4000×3000 (12,000,000 Pixels)			
ISO Sensitivity	Equivalent to 100-12800			
Sensor Size	1/2.3"			
Pixel Size	1.55µm×1.55µm			
Spectral Response	380-650nm			
Exposure Capability	Real-time auto and manual adjustment			
Exposure Time	10µs-333ms			
White Balance	Real-time auto and manual WB adjustment			
Preview Resolution	4000×3000@30fps, 3840×2160@30fps			
Power Supply	DC 5V 2A			
Wireless Protocol	5G WiFi IEEE802.11ac			
A/D Conversion Bit Depth	12bit			
Software And APP	Windows Software: KoPa Capture Pro, App for mobiles: KoPa WiFi Lab			
Applicable To	Olympus	Nikon	Leica	Zeiss
Dovetail	HD1210-W	HD1211-W	HW200(L)	HW200Z
Optional	20.MP			

Note: When ordering, the model need to be listed at the same time. For example, when ordering a 12.0MP camera, which needs to be installed on the Olympus trinocular dovetail slot, the corresponding order list: number: model: HD1210-W



#Letsgivingmore

Thanks to your purchase, a donation will be made to a non-profit foundation that fights against breast cancer and helps most vulnerable communities.



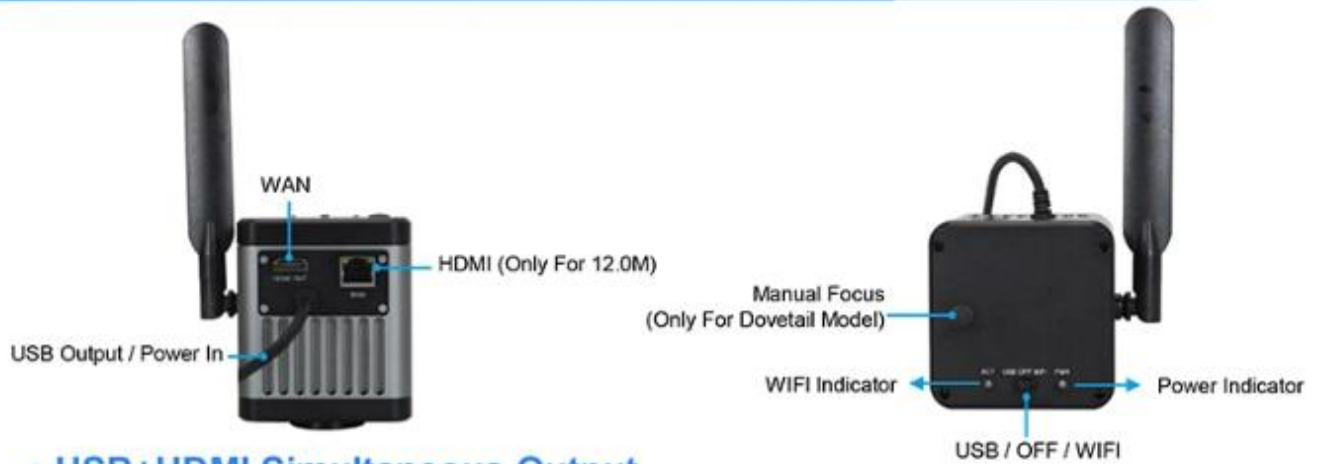
All rights reserved © KALSTEIN France S. A. S.,
Optimum Business Center 450 Rue Baden Powell,
• 34000 Montpellier, France.
Tél: +33 467158849 / +33 680760710/ +33 663810023
<https://kalstein.eu>
KALSTEIN FRANCE, S.A. S



KALSTEIN® Microscopes
5G WIFI+4K HDMI+USB+LAN Digital Camera, 12.0M,
C-Mount, USB/WIFI Measuring
Model YR0A59.4972



YR0A59.4972 Multiple Image Output Methods



● **USB+HDMI Simultaneous Output**



#Letsgivemore ♥
Thanks to your purchase, a donation will be made to a non-profit foundation that fights against breast cancer and helps most vulnerable communities.



All rights reserved © KALSTEIN France S. A. S.,
Optimum Business Center 450 Rue Baden Powell,
• 34000 Montpellier, France.
Tit: +33 467158849 / +33 680760710/ +33 663810023
<https://kalstein.eu>
KALSTEIN FRANCE, S.A. S



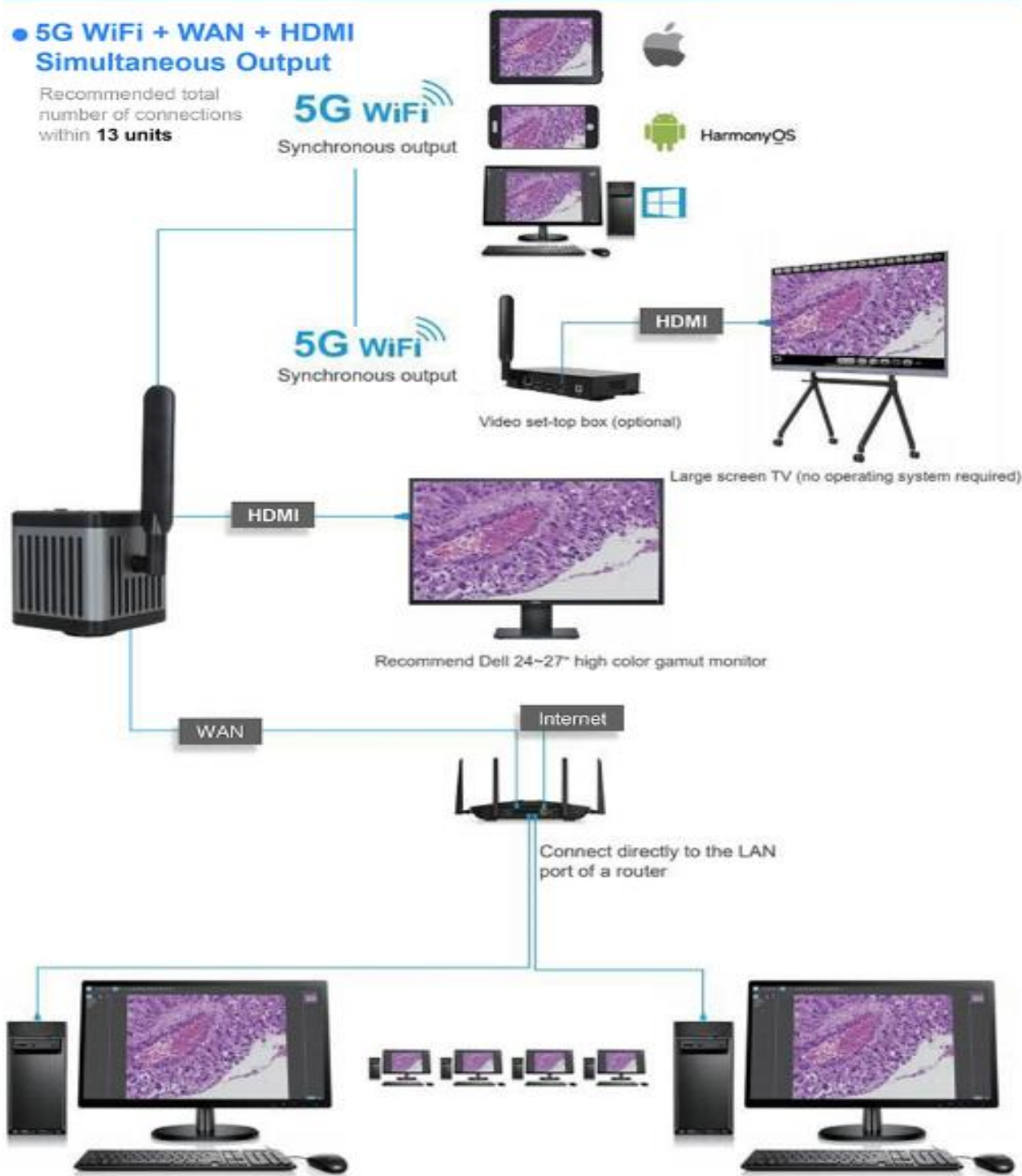
KALSTEIN® Microscopes
5G WIFI+4K HDMI+USB+LAN Digital Camera, 12.0M,
C-Mount, USB/WIFI Measuring
Model YR0A59.4972



YR0A59.4972 Multiple Image Output Methods

● **5G WiFi + WAN + HDMI**
Simultaneous Output

Recommended total number of connections within **13 units**



#Letsgivemore ♥

Thanks to your purchase, a donation will be made to a non-profit foundation that fights against breast cancer and helps most vulnerable communities.



All rights reserved © KALSTEIN France S. A. S.,
 Optimum Business Center 450 Rue Baden Powell,
 • 34000 Montpellier, France.
 Tit: +33 467158849 / +33 680760710/ +33 663810023
<https://kalstein.eu>
KALSTEIN FRANCE, S.A. S



KALSTEIN® Microscopes

5G WIFI+4K HDMI+USB+LAN Digital Camera, 12.0M, C-Mount, USB/WIFI Measuring

Model YR0A59.4972

YR0A59.4972 Advantages

One-stop Digitalize Optical Microscopes

The camera and large FOV optical adapter are skillfully integrated, plug & play, easy using, no need maintain, no more worrying about adapter matching to different microscopes

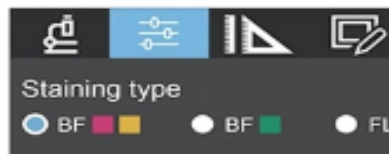
Cutting-edge Image Codec Technology

Using H264 codec, the camera color is accurately restored. Compared with the traditional MJPEG, it has the characteristics of low bit rate, low noise, transparent picture quality, and high frame rate of full resolution preview (for example , it can realize up to 30fps at 4000x3000 preview)



Color-calibration Algorithm

Users can choose different image modes according to the staining type of pathological sections to obtain accurate image color.



Microscope type

- 9 Leica DM series(N PLAN)
- 11 Leica DM series(HI PLAN)
- 12 Leica DMn(HI PLAN)(BF-RD/GD)
- 13 Leica DMi1(HI PLAN)(BF-GN)
- 2 Nikon E series- Embedded camera
- 5 Nikon E series-C-mount/dovetail groove camera
- 10 Nikon TS2
- 1 OLYMPUS CX series- Embedded camera
- 4 OLYMPUS CX series-C-mount/dovetail groove camera
- 6 OLYMPUS BX series- C-mount/ dovetail groove camera (BF-RD/GD)
- 7 OLYMPUS BX series-C-mount / dovetail groove camera (BF-GN)
- 8 OLYMPUS BX series-C-mount / dovetail groove camera (FL)
- 0 Stereo Microscope- Embedded camera
- 3 Stereo Microscope-C-mount/ davetail groove camera

Image Mode for Best View

- Multiple image modes specially adjusted for different microscope famous brands including Leica, Nikon, Olympus, Zeiss, and more.
- User can choose image mode options for different microscope models as listed in menu. (Need to enter a password to set it in the background)



#Letsgivemore

Thanks to your purchase, a donation will be made to a non-profit foundation that fights against breast cancer and helps most vulnerable communities.



All rights reserved © KALSTEIN France S. A. S., Optimum Business Center 450 Rue Baden Powell, • 34000 Montpellier, France.
 Titl: +33 467158849 / +33 680760710/ +33 663810023
<https://kalstein.eu>
 KALSTEIN FRANCE, S.A. S



KALSTEIN® Microscopes
5G WIFI+4K HDMI+USB+LAN Digital Camera, 12.0M,
C-Mount, USB/WIFI Measuring
Model YR0A59.4972



YR0A59.4972 Accurate Color Reproduction

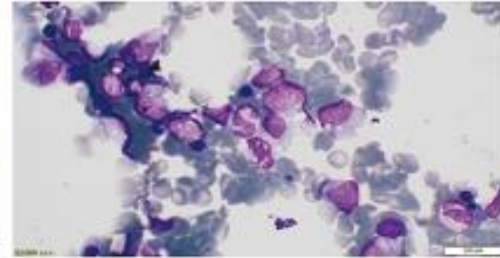
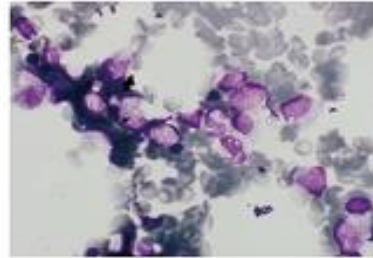
YR0A59.4972

5G 12.0M Digital Camera
 12.0MP、1/2.3"
 1.55μm × 1.55μm

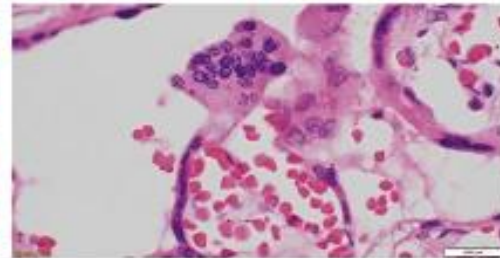
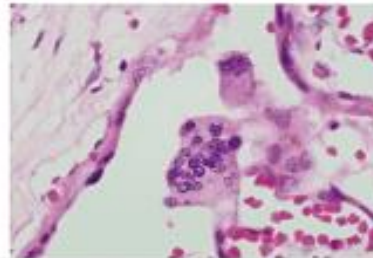
Top Camera From Four
 Major Microscope Brands
 2.3MP、1/1.2"、
 5.86μm × 5.86μm



Slides



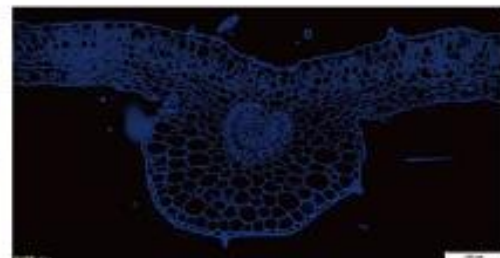
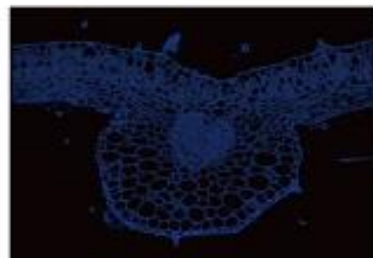
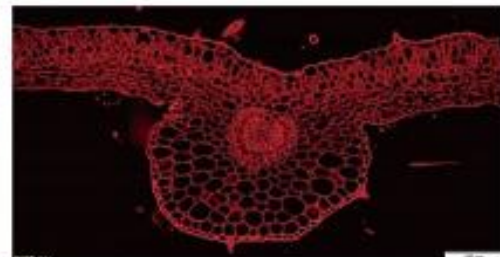
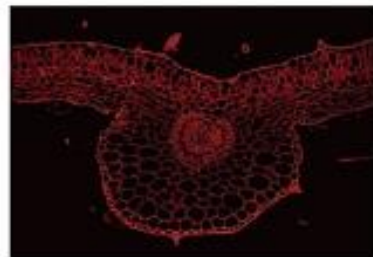
Slides



Histological HE 100X Oil Lens In Bright Field



Slides



Pelargonium Leaf 10X Lens In Fluorescence

Testing method: Photos are taken at the same position in the same slide with same microscope by the same person, the cameras are all adjusted to their best parameters.(Photos are real without handling by Photoshop.)



#Let'sgivemore ♥

Thanks to your purchase, a donation will be made to a non-profit foundation that fights against breast cancer and helps most vulnerable communities.



All rights reserved © KALSTEIN France S. A. S.,
 Optimum Business Center 450 Rue Baden Powell,
 • 34000 Montpellier, France.
 Tel: +33 467158849 / +33 680760710/ +33 663810023
<https://kalstein.eu>
KALSTEIN FRANCE, S.A. S



KALSTEIN® Microscopes 5G WIFI+4K HDMI+USB+LAN Digital Camera, 12.0M, C-Mount, USB/WIFI Measuring Model YR0A59.4972

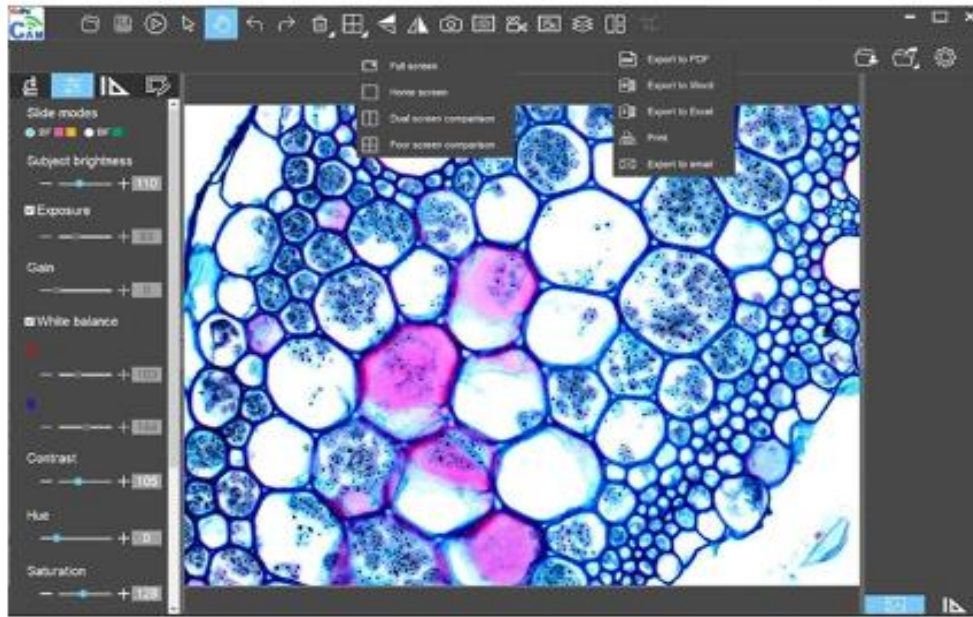


Professional Software For PC

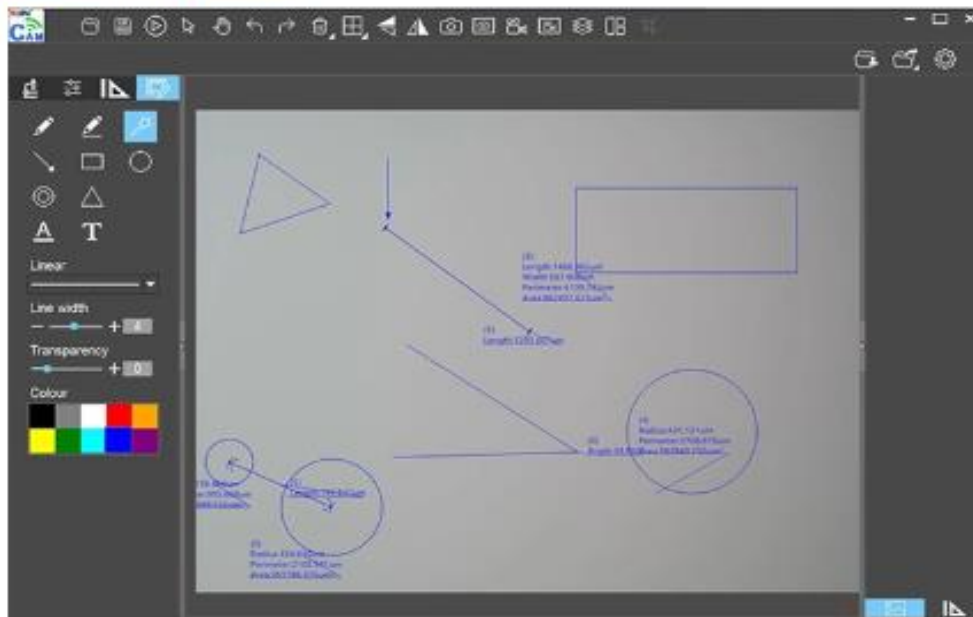
The software can realize preview, save, export, image stitching, depth of field fusion. Measurement Function and other functions.

◆ Brightness, Exposure etc. Adjustable

Multi-dimensional adjustment can make the picture clearer, and it will be easier to study the object



◆ Measurement Function



#Let's Give More ♥

Thanks to your purchase, a donation will be made to a non-profit foundation that fights against breast cancer and helps most vulnerable communities.



All rights reserved © KALSTEIN France S. A. S.,
Optimum Business Center 450 Rue Baden Powell,
• 34000 Montpellier, France.
Tél: +33 467158849 / +33 680760710/ +33 663810023
<https://kalstein.eu>
KALSTEIN FRANCE, S.A. S



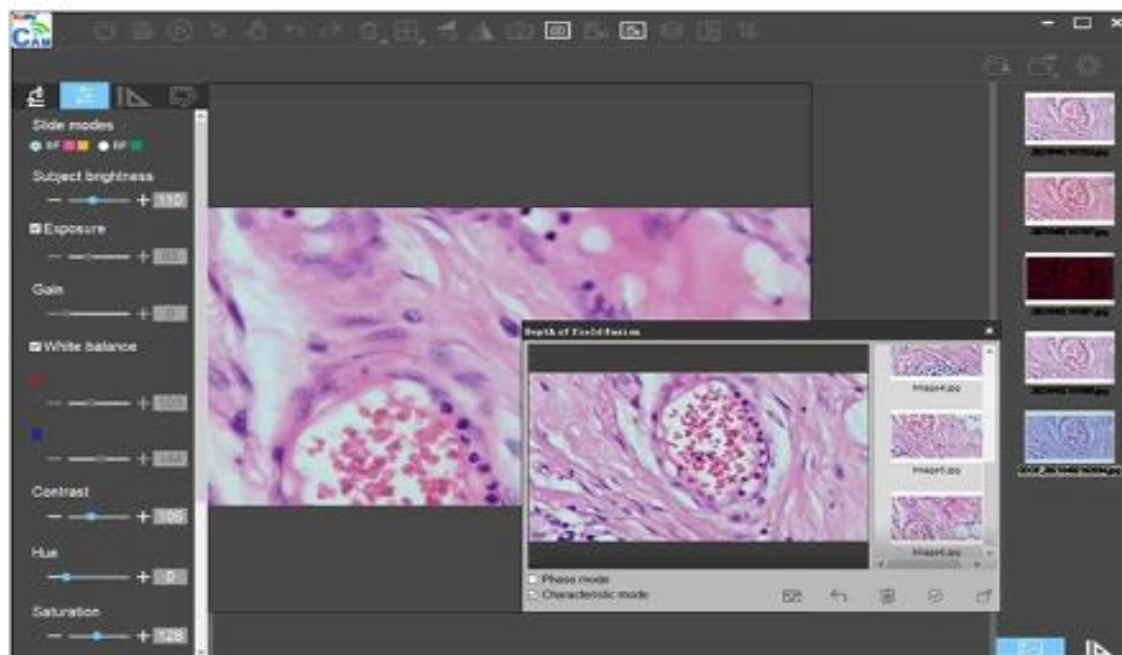
KALSTEIN® Microscopes 5G WIFI+4K HDMI+USB+LAN Digital Camera, 12.0M, C-Mount, USB/WIFI Measuring



Model YR0A59.4972

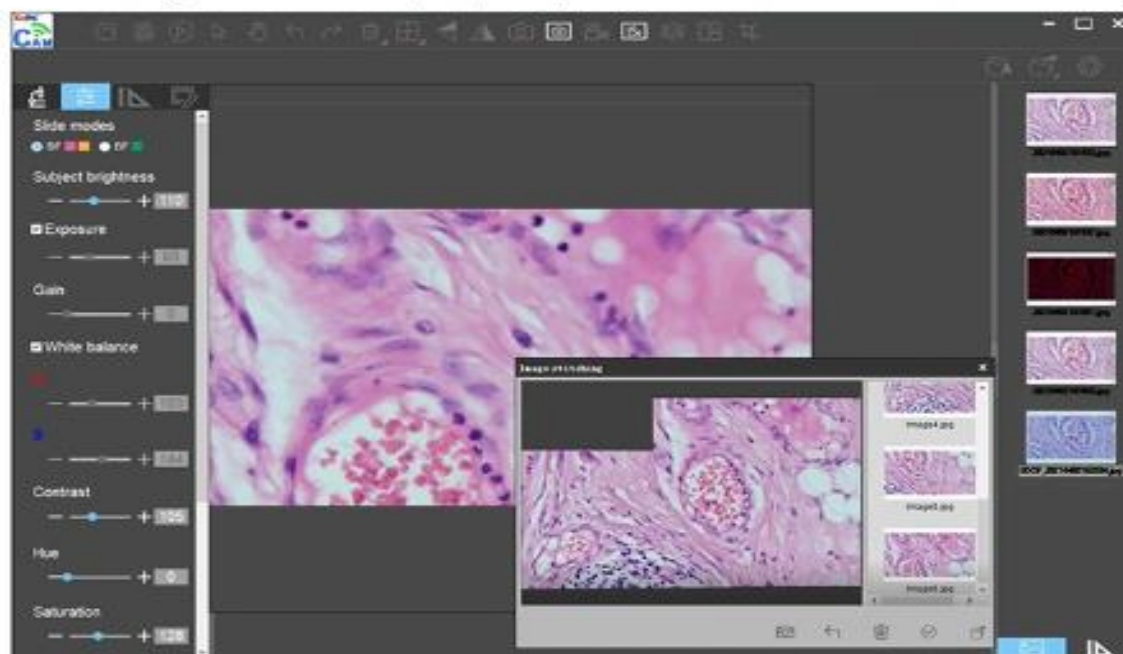
◆ Depth Of Field Fusion

When the thickness of the observed object is thick, the problem of insufficient depth of field of the camera is perfectly solved, and the images of different heights of the observed object can be combined into a clear picture in all directions



◆ Image Stitching

Due to the limited field of view of the microscope, the object under observation is generally not fully displayed under high magnification. The Image Stitching function can stitch the images of different positions observed under the same magnification into a complete picture, which is convenient for observation and recording.



#Let's Give More ❤️

Thanks to your purchase, a donation will be made to a non-profit foundation that fights against breast cancer and helps most vulnerable communities.



All rights reserved © KALSTEIN France S. A. S.,
Optimum Business Center 450 Rue Baden Powell,
• 34000 Montpellier, France.
Tél: +33 467158849 / +33 680760710/ +33 663810023
<https://kalstein.eu>
KALSTEIN FRANCE, S.A. S



KALSTEIN® Microscopes
5G WIFI+4K HDMI+USB+LAN Digital Camera, 12.0M,
C-Mount, USB/WIFI Measuring
Model YR0A59.4972

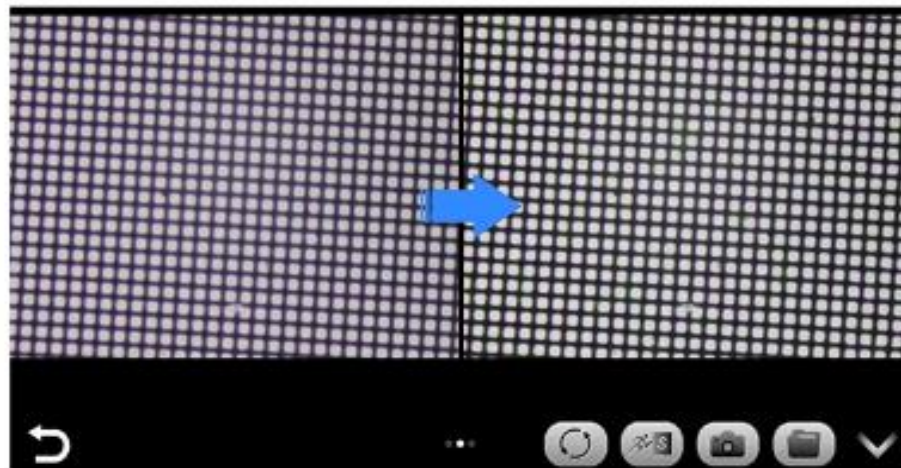


Creative APP For Phone, Pad



◆ Real Time Depth of Field Fusion & Auto Focus

Due to the limited field of view of the microscope, the object under observation is generally not fully displayed under high magnification. The Image Stitching function can stitch the images of different positions observed under the same magnification into a complete picture, which is convenient for observation and recording.



#Letsgivingore ♥

Thanks to your purchase, a donation will be made to a non-profit foundation that fights against breast cancer and helps most vulnerable communities.



All rights reserved © KALSTEIN France S. A. S.,
 Optimum Business Center 450 Rue Baden Powell,
 • 34000 Montpellier, France.
 Tit: +33 467158849 / +33 680760710/ +33 663810023
<https://kalstein.eu>
KALSTEIN FRANCE, S.A. S



KALSTEIN® Microscopes
5G WIFI+4K HDMI+USB+LAN Digital Camera, 12.0M,
C-Mount, USB/WIFI Measuring
Model YR0A59.4972



YR0A59.4972 Structure



Ergonomic Design

Structural parts are cleverly designed, stable and durable.

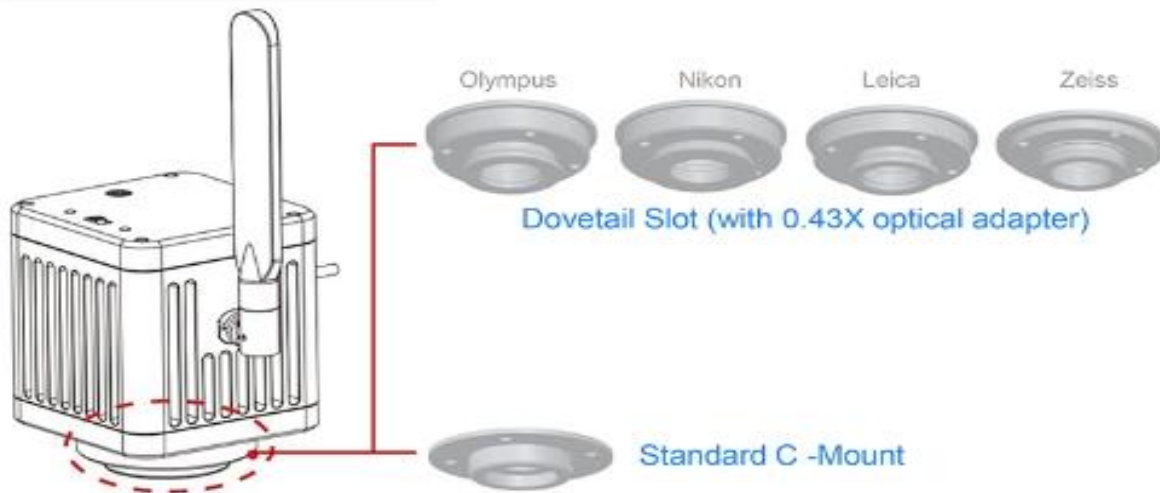
Seamless coupling of Olympus, Nikon, Leica, Zeiss brands of microscopes, no damage to the original optical path.

5G WIFI

Easy focus with Allen key
(Only for dovetail camera models)

Imaging module

Dovetail mount
(with 0.43X optical adapter)



#Letsgivemore ♥

Thanks to your purchase, a donation will be made to a non-profit foundation that fights against breast cancer and helps most vulnerable communities.



All rights reserved © KALSTEIN France S. A. S.,
 Optimum Business Center 450 Rue Baden Powell,
 • 34000 Montpellier, France.
 Tit: +33 467158849 / +33 680760710/ +33 663810023
<https://kalstein.eu>
KALSTEIN FRANCE, S.A. S



KALSTEIN® Microscopes 5G WIFI+4K HDMI+USB+LAN Digital Camera, 12.0M, C-Mount, USB/WIFI Measuring



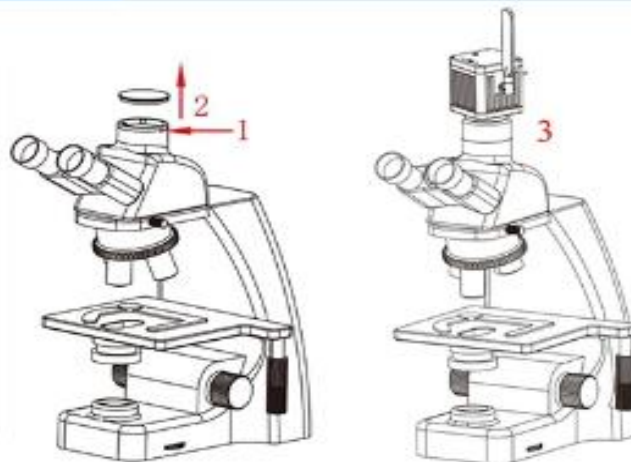
Model YR0A59.4972

Camera Connect To Microscope

YR0A59.4972 Connect to Trinocular Microscope

1.2 Remove the dust cover of microscope dovetail slot or standard C-mount

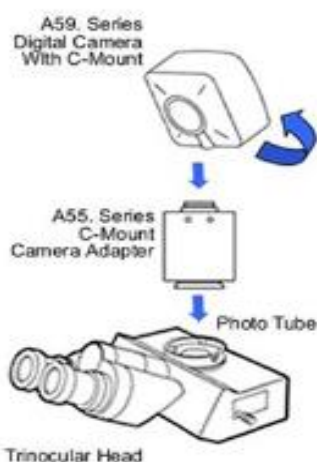
3. Snap the camera onto the dovetail slot or screw it onto the standard C-mount of the microscope; tighten the fastening screws on the dovetail slot of the microscope, fix the camera on the microscope.



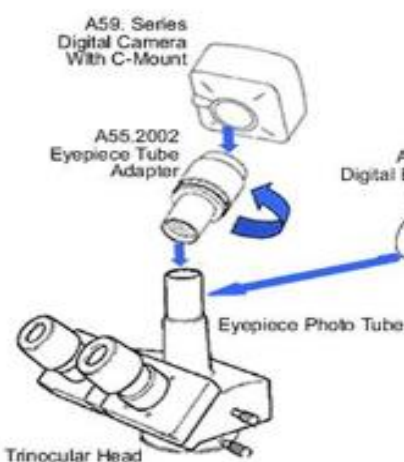
OPTO-EDU

How Camera Connect To Microscope

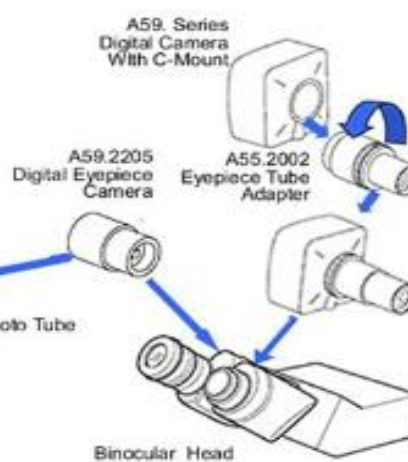
1. To Trinocular Microscope On Straight Photo Tube



2. To Trinocular Microscope On Eyepiece Photo Tube



3. To Binocular Microscope On Eyepiece Tube



#Letsgivemore ❤️

Thanks to your purchase, a donation will be made to a non-profit foundation that fights against breast cancer and helps most vulnerable communities.



All rights reserved © KALSTEIN France S. A. S.,
Optimum Business Center 450 Rue Baden Powell,
• 34000 Montpellier, France.
Tit: +33 467158849 / +33 680760710/ +33 663810023
<https://kalstein.eu>
KALSTEIN FRANCE, S.A. S



KALSTEIN® Microscopes 5G WIFI+4K HDMI+USB+LAN Digital Camera, 12.0M, C-Mount, USB/WIFI Measuring Model YR0A59.4972



YR0A59.4972 Accessories



HDMI Cable(2m)
(For 12.0MP Cameras
Only)



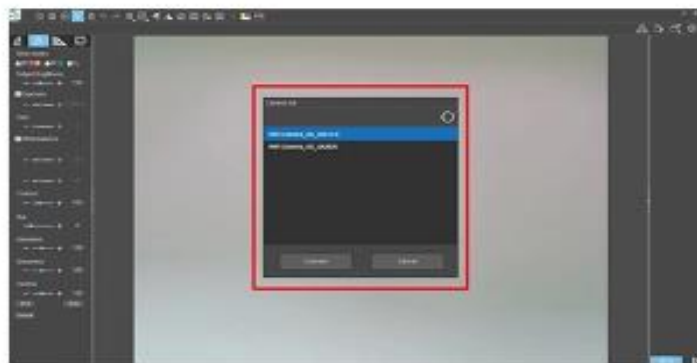
Gigabit Ethernet
cable (2 m)



Video Set-top
Box (Optional)

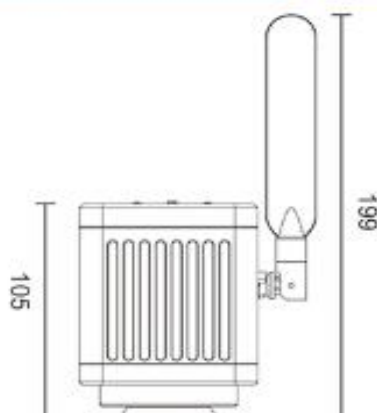
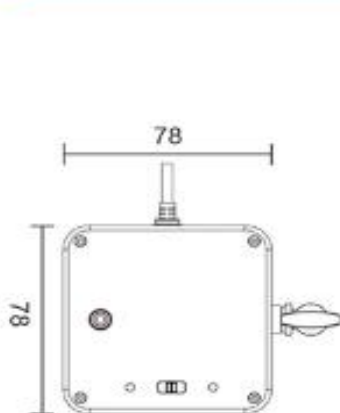


Allen Key (3mm)
(Dovetail Models)

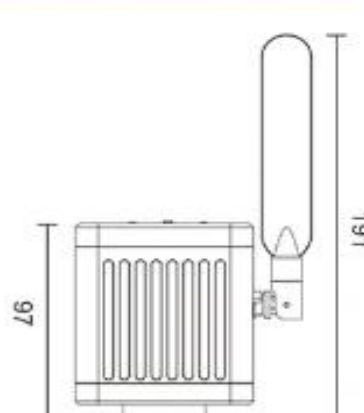


One Paper With QR Code And Link To
Download Software

YR0A59.4972 Dimensions (mm)



Dovetail Model,
Net Wight≈0.9kg



C-mount Model,
Net Wight≈0.9kg



#Let's Give More ♥

Thanks to your purchase, a donation will be made to a non-profit foundation that fights against breast cancer and helps most vulnerable communities.



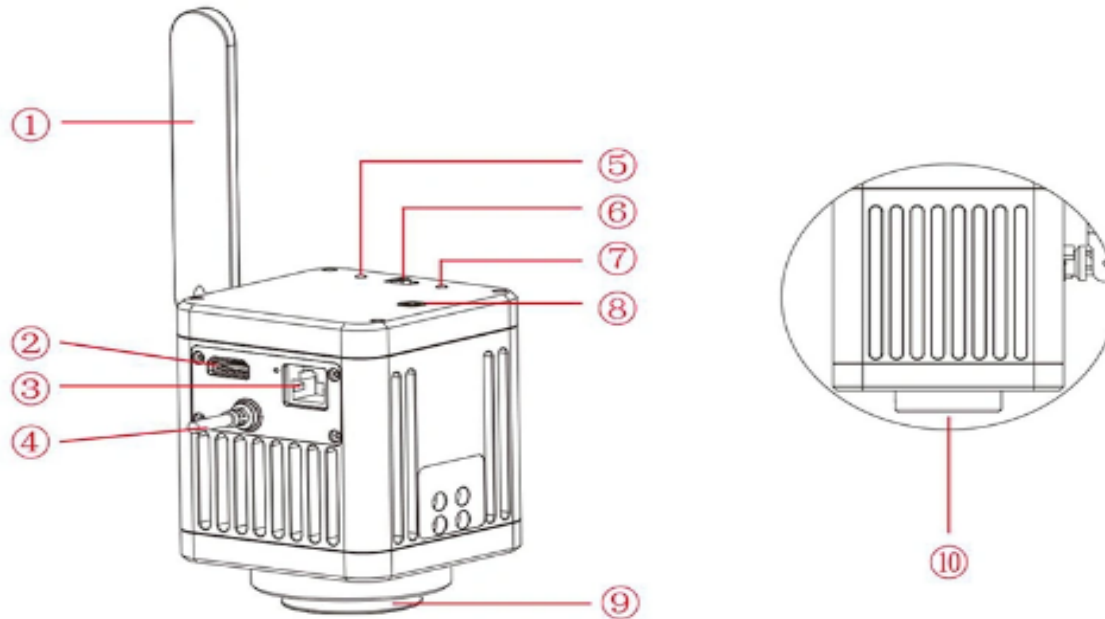
All rights reserved © KALSTEIN France S. A. S.,
Optimum Business Center 450 Rue Baden Powell,
• 34000 Montpellier, France.
Tél: +33 467158849 / +33 680760710/ +33 663810023
<https://kalstein.eu>
KALSTEIN FRANCE, S.A. S



KALSTEIN® Microscopes 5G WIFI+4K HDMI+USB+LAN Digital Camera, 12.0M, C-Mount, USB/WIFI Measuring Model YR0A59.4972



YR0A59.4972 Hardware Introduction



①	5G WiFi Antenna	Enhance The 5G WiFi Signal Transmission, To Achieve Wireless Connection To The Camera Forimage Acquisition.
②	HDMI Output Interface (Only For 12.0MP Camera)	Through HDMI Cable, Connect With External Monitor With HDMI Interface To Realize Video, Signal Transmission,Etc.
③	WAN Network Interface	Turn To WiFi: It Can Be Connected To The Router And Access To The Local Area Network, Ao That Windows PC, Smartphones And Tablets In The Local Area Network Can Share The Microscopicscreen; It Can Also Be Directly Connected To The Internet.
④	USB Output / Power Supply	Turn To USB: Connects To Windows PC For Data Transfer, And The Windows PC Side Can Imageacquisition Through Software. Turn To WiFi: Connects To Adapter To Enable Powering The Camera, And Wireless Devices Canconnect To The Camera WiFi To Image Acquisition.
⑤	PWR (Power Indicator)	Turn To OFF, The Indicator Light Is Red. Turn To USB Or WiFi, The Indicator Light Is Green.
⑥	USB / OFF / WiFi Working Mode Switching	USB: When The USB Cable Connected To The Computer, It Can Image Acquisition Through Thecomputer Software. OFF: Turn Off The Power, The Camera Stops Working On This Time. WiFi: The Wireless Devices Connect To The Camera WiFi To Image Acquisition.
⑦	ACT Indicator:	Turn To WiFi, The Indicator Light Is Blue. Turn To Other Gears, The Indicator Light Does Not Light Up.
⑧	Easy Focus Hole (Only For Dovetail Mount Model)	Internal Filament Focus Structure Is Used To Adjust The 0.43X Field Lens Of The Camera To Achievepar-focal With Electronic Imaging And Observation Under Eyepiece.
⑨	Dovetail Mount	Connect With The Dovetail Slot On The Trinocular Microscope.
⑩	Standard C-mount	Connect With Trinocular Microscope Which Has C-mount.



#Letsgivemore

Thanks to your purchase, a donation will be made to a non-profit foundation that fights against breast cancer and helps most vulnerable communities.



All rights reserved © KALSTEIN France S. A. S.,
Optimum Business Center 450 Rue Baden Powell,
• 34000 Montpellier, France.
Tit: +33 467158849 / +33 680760710/ +33 663810023
<https://kalstein.eu>
KALSTEIN FRANCE, S.A. S



KALSTEIN® Microscopes
5G WIFI+4K HDMI+USB+LAN Digital Camera, 12.0M,
C-Mount, USB/WIFI Measuring
Model YR0A59.4972



YR0A59.4972 More Pictures



QR Code to Download APP

QR Code to Connect Camera WiFi



#Let'sgivemore ♥

Thanks to your purchase, a donation will be made to a non-profit foundation that fights against breast cancer and helps most vulnerable communities.



All rights reserved © KALSTEIN France S. A. S.,
 Optimum Business Center 450 Rue Baden Powell,
 • 34000 Montpellier, France.
 Tel: +33 467158849 / +33 680760710/ +33 663810023
<https://kalstein.eu>
KALSTEIN FRANCE, S.A. S



KALSTEIN® Microscopes
5G WIFI+4K HDMI+USB+LAN Digital Camera, 12.0M,
C-Mount, USB/WIFI Measuring
Model YR0A59.4972



YR0A59.4972 + YR0A12.0933 More Pictures

USB + HDMI Simultaneous Output



5G WIFI + HDMI Simultaneous Output



Real Time Depth of Field Fusion & Auto Focus APP



#Letsgivemore ❤️

Thanks to your purchase, a donation will be made to a non-profit foundation that fights against breast cancer and helps most vulnerable communities.



All rights reserved © KALSTEIN France S. A. S.,
 Optimum Business Center 450 Rue Baden Powell,
 • 34000 Montpellier, France.
 Tit: +33 467158849 / +33 680760710/ +33 663810023
<https://kalstein.eu>
KALSTEIN FRANCE, S.A. S





 **Kalstein**[®]
A different accompaniment, at your service

#LETSGIVEMORE 


**WITH THE
ACQUISITION
OF A KALSTEIN
EQUIPMENT**

YOU MAKE A CONTRIBUTION TO:

 **Fundación
Jacinto Convit**
<https://www.jacintoconvit.org/>

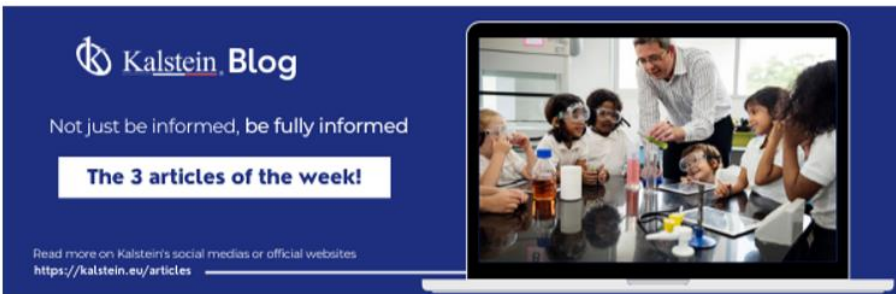
 **ONE
TREE
PLANTED**

<https://onetreepanted.org>

 **Humatem**
Solidarité et coopération
biomédicale
<https://www.humatem.org/>


**MANIAPURE
FOUNDATION USA**
<https://www.maniapurefoundation.org/>

Articles Kalstein
(Social Networks and Official Websites)



Kalstein Blog
Not just be informed, be fully informed

The 3 articles of the week!

Read more on Kalstein's social medias or official websites
<https://kalstein.eu/articles>

1
Read this ARTICLE NOW



How does the climate affect your microscope?

Kalstein Blog

Article of the week:
How does the climate affect your microscope?

Read more on Kalstein's social medias or official websites
<https://kalstein.eu/articles>

2
Read this ARTICLE NOW



What is the importance of the laboratory refrigerator?

Kalstein Blog

Article of the week:
What is the importance of the laboratory refrigerator?

Read more on Kalstein's social medias or official websites
<https://kalstein.eu/articles>

Kalstein Training Videos
(Youtube Channel and Official Websites)



Kalstein France - Jacinto Convit Foundation / Allianc...
23 views • 3 years ago



Kalstein's Microscopes
445 views • 1 week ago



PARIS - FRANCE
HEADQUARTER
2 Rue Jean Lantier
75001 Paris - France

Tlf: +33 (0) 01 78 95 87 89
Cel: +33 (0) 6 80 76 07 10
sales@kalstein.eu

<https://kalstein.eu/>
<https://www.kalstein.fr/>

